

	0,1	F
	0,01/250	

	0,01/10	F
	0,1	F

Mitte Abtaststelle  
Center of scanning

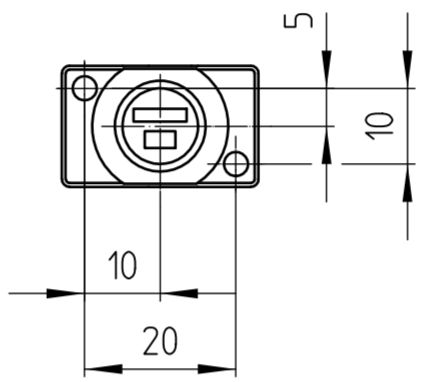
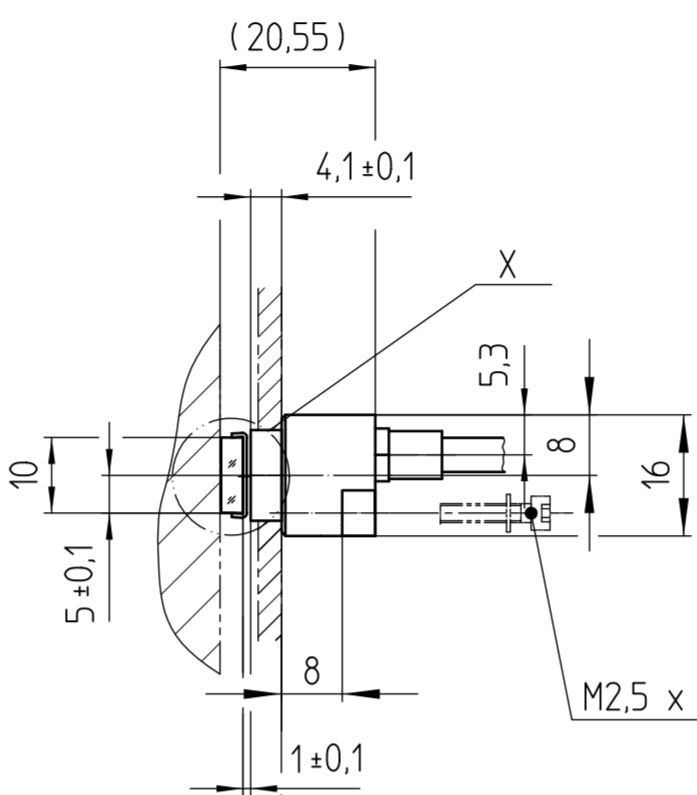
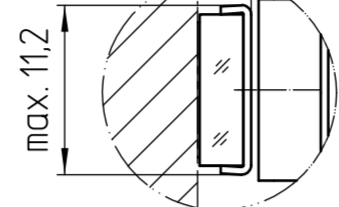
bei Montage justiert  
Adjusted when mounted

positive Meßrichtung  
Positive Measuring direction

Bohrung für Klebstoff  
Hole for glue

X 2:1

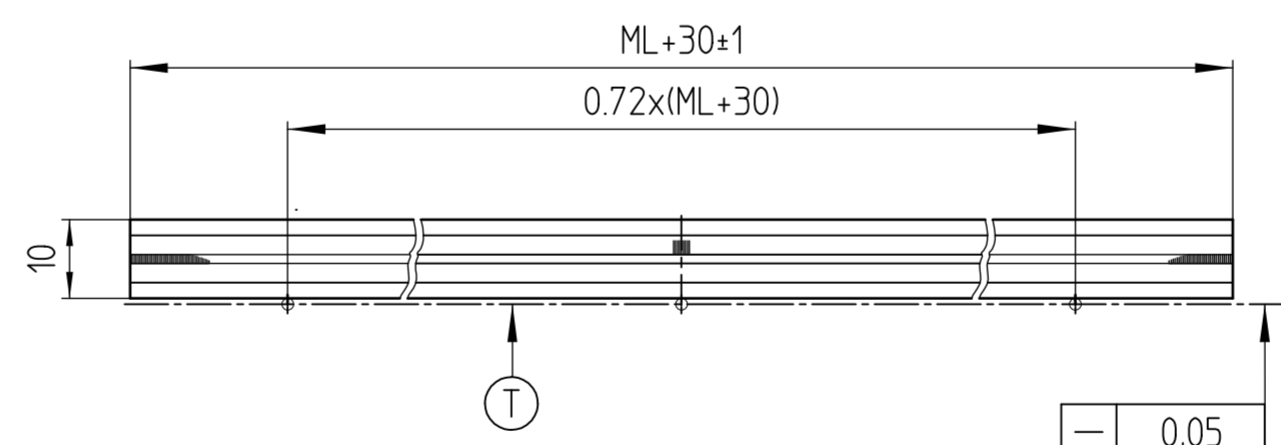
min. 0,5



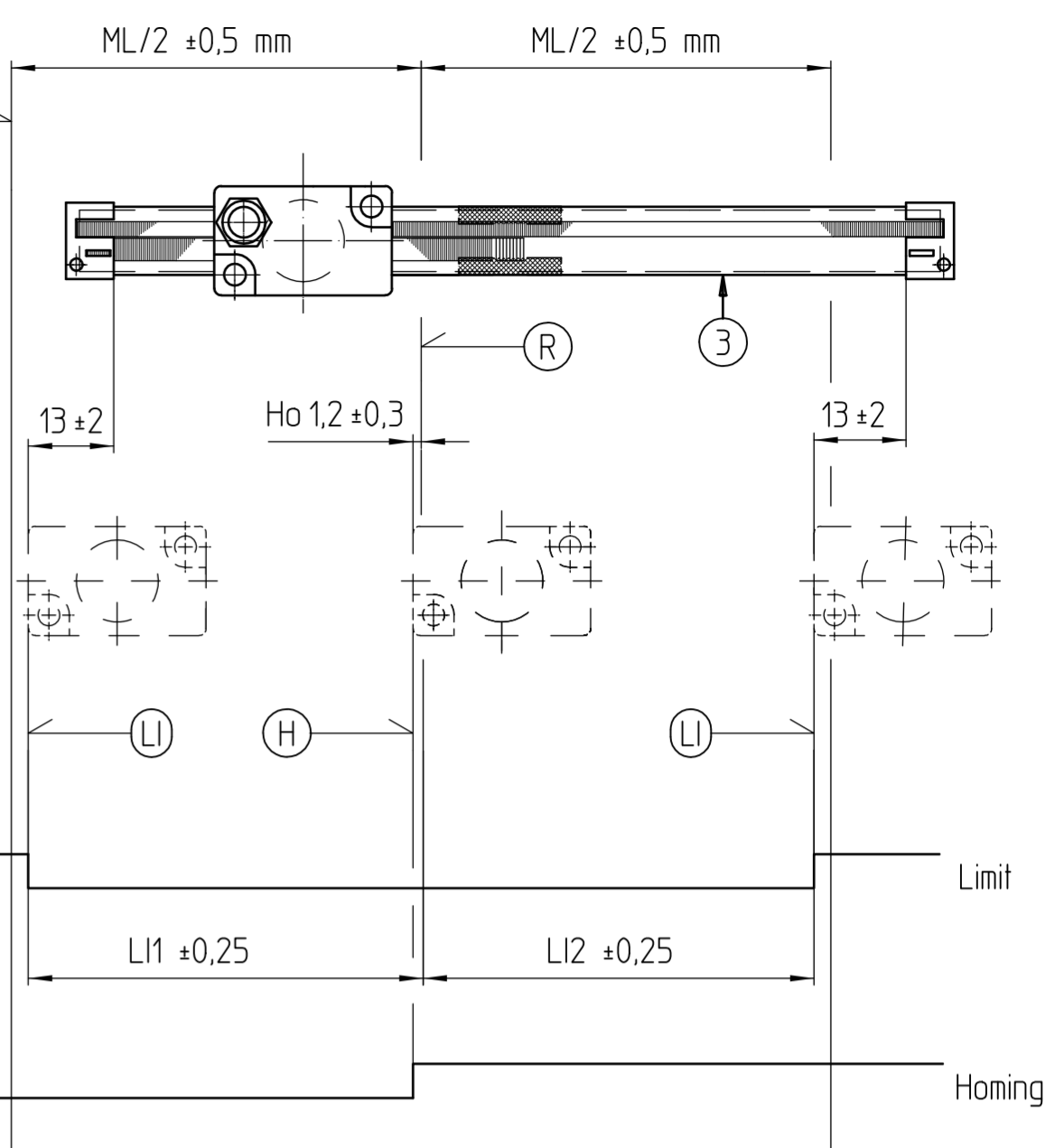
	0,06	A
--	------	---

A

Position Anschlagstifte  
Position stop pins

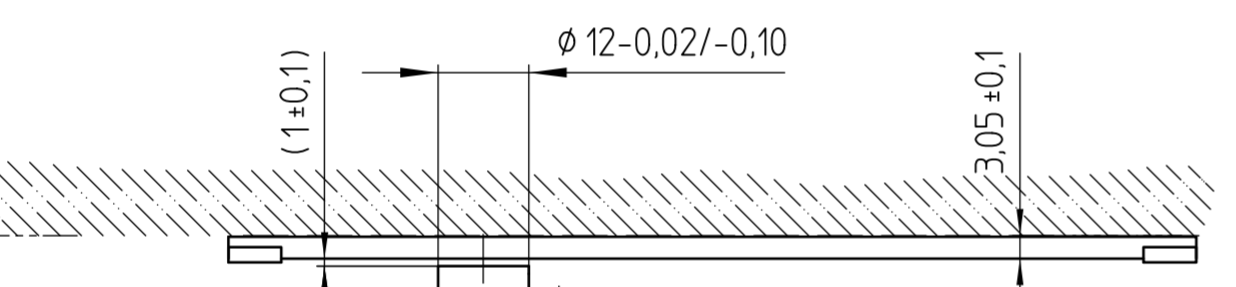


	0,05	
	0,2	F

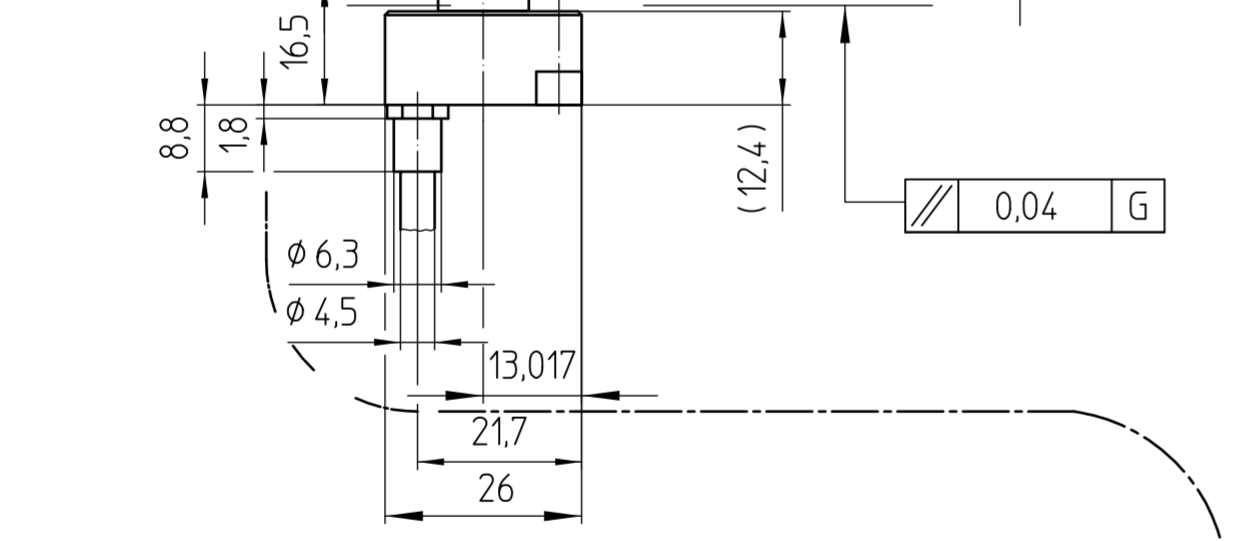


Homingfunktion bei ML < 10mm nur mit besonderem Abgleich Ho = 1,5±0,3  
Homingfunction to ML < 10mm only with special adjustment Ho = 1,5±0,3

- F = Maschinenführung      Machine guideway
- \* = max. Änderung bei Betrieb      Max. change during operation
- ML = Messlänge      Measuring length
- (K) = Epoxy bei ML < 170      Epoxy for ML < 6.7"
- (LI) = Limitmarke, verstellbar      Limit-Label, adjustable
- (H) = Schalter für Homingspur      Switch for homing track
- (R) = Referenzmarken-Lage      Reference mark position
- (S) = Beginn der Messlänge      Begin. of meas. length
- (T) = Anschlagfläche Maßstab      Stop surface scale



	0,04	G
--	------	---



Kabellänge 0,5 bis 3 m  
Cable length 1.7 ft to 9.9 ft.

Md = 40 Ncm

Statusanzeige

PIN 1

Original drawing		LIF 4x1R		IDnumber:
Scale	Format	Anschlussmaße		Change No. C001665-26
1:1	A2			Phase: Serie
Dimensions in mm				Tolerierung nach DIN ISO 8015
				Tolerances as per DIN ISO 8015
				Allgemeintoleranzen ISO 2768-mH ±0,2mm
				General tolerances ISO 2768-mH ±0,2mm
The reproduction, distribution and utilization of this document as well as the communication of its contents to others without express authorization is prohibited. Offenders will be held liable for the payment of damages. All rights reserved in the event of the grant of a patent, utility model or design. ( ISO 16016 )				
<b>HEIDENHAIN</b>				Version   Revision   Sheet
DR. JOHANNES HEIDENHAIN GmbH				D 1243267-00-A-01
83301 Traunreut, Germany				1 of 1
				Document number