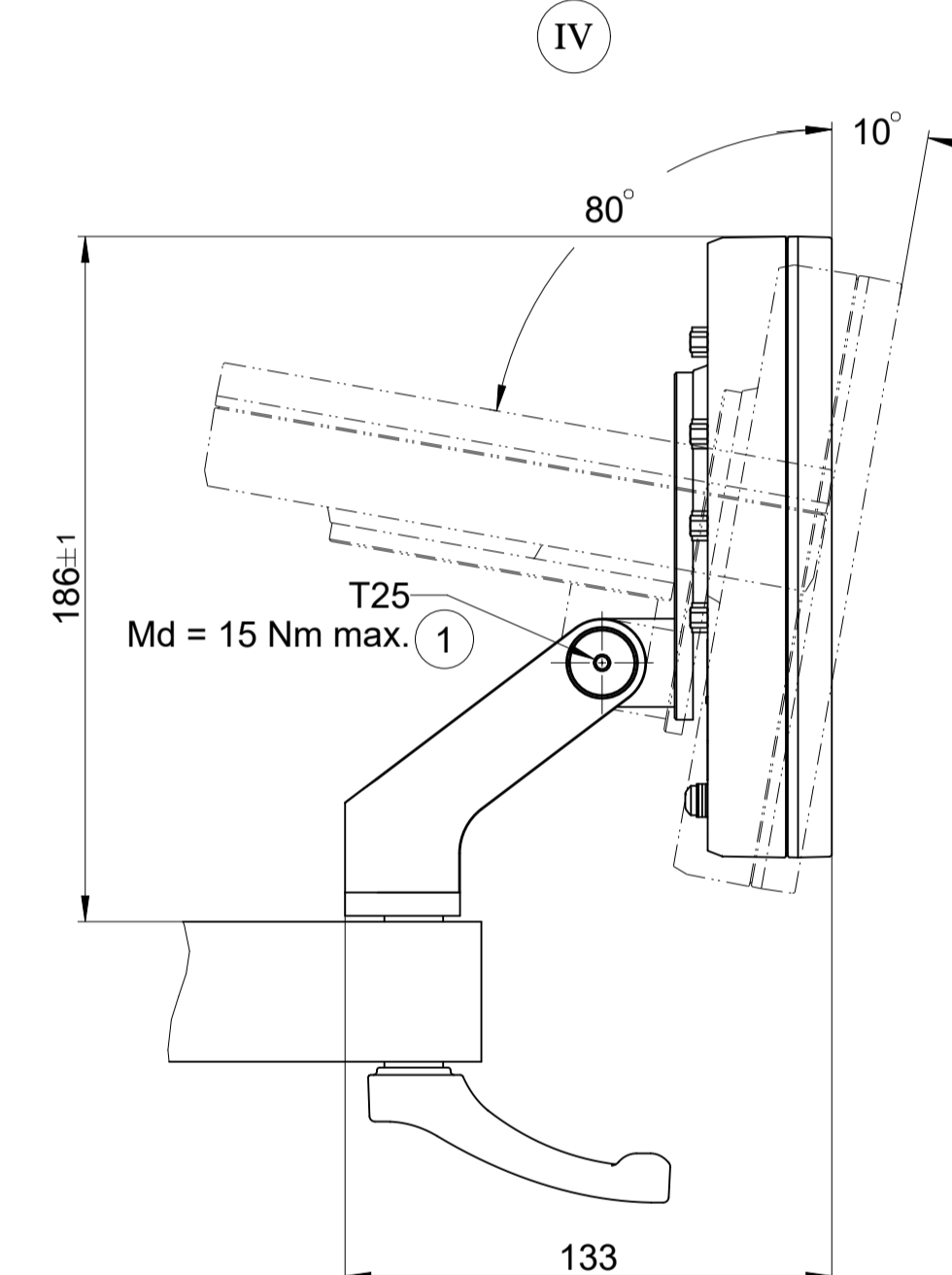
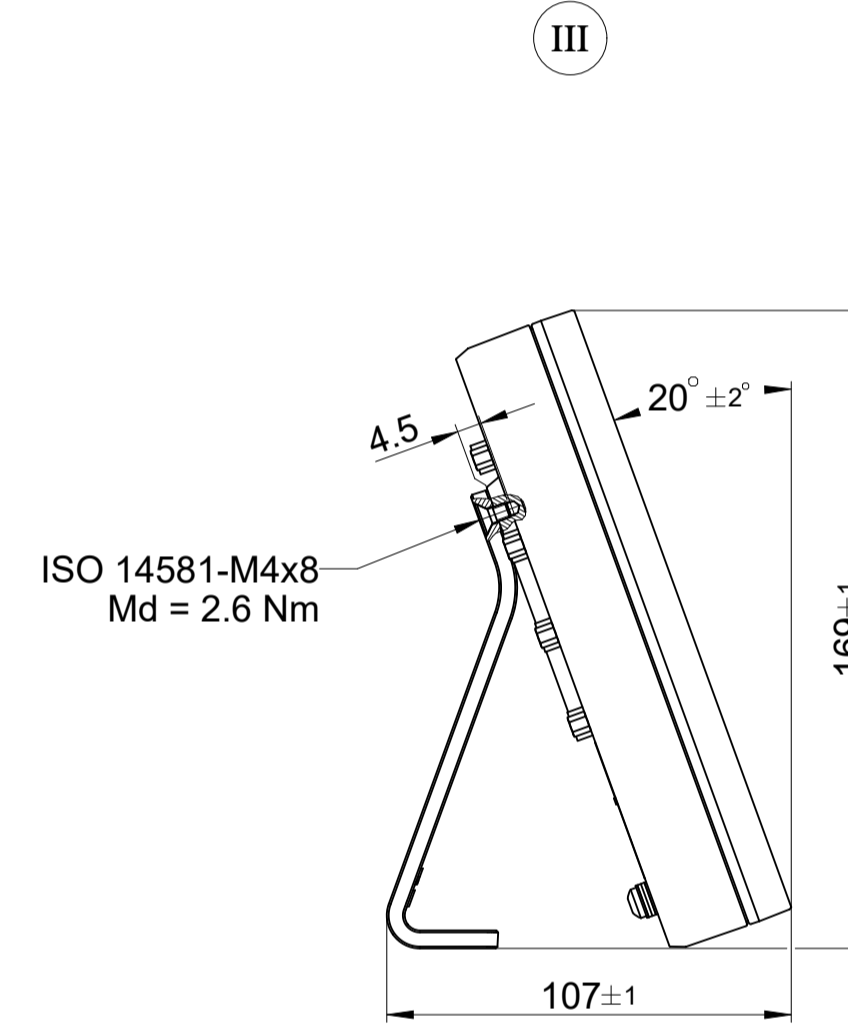
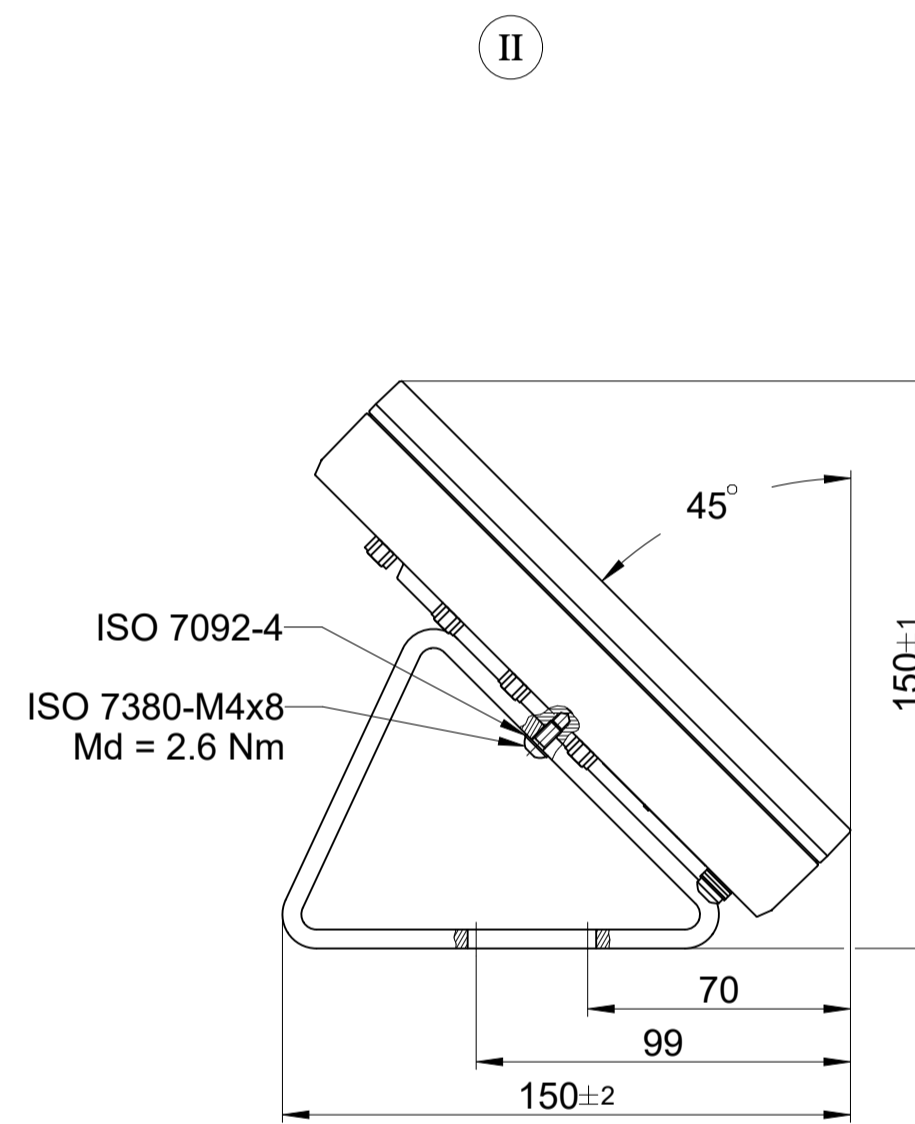
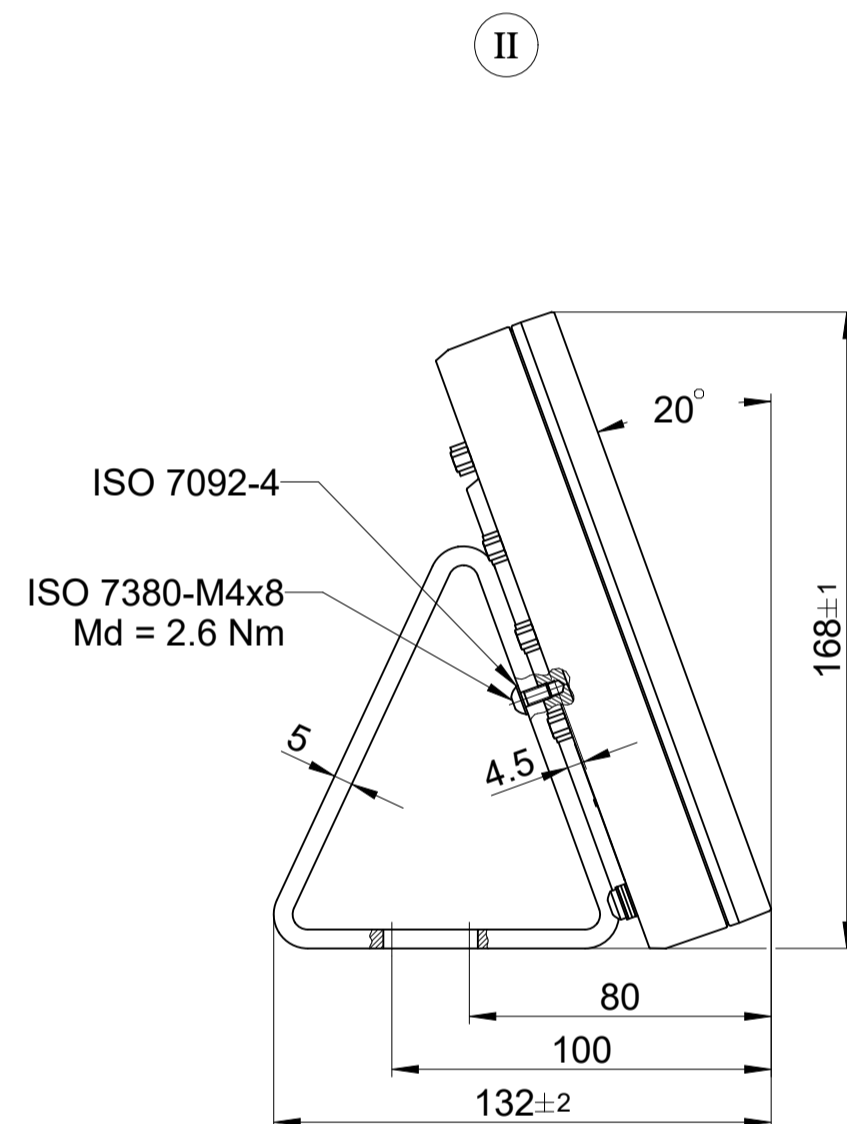
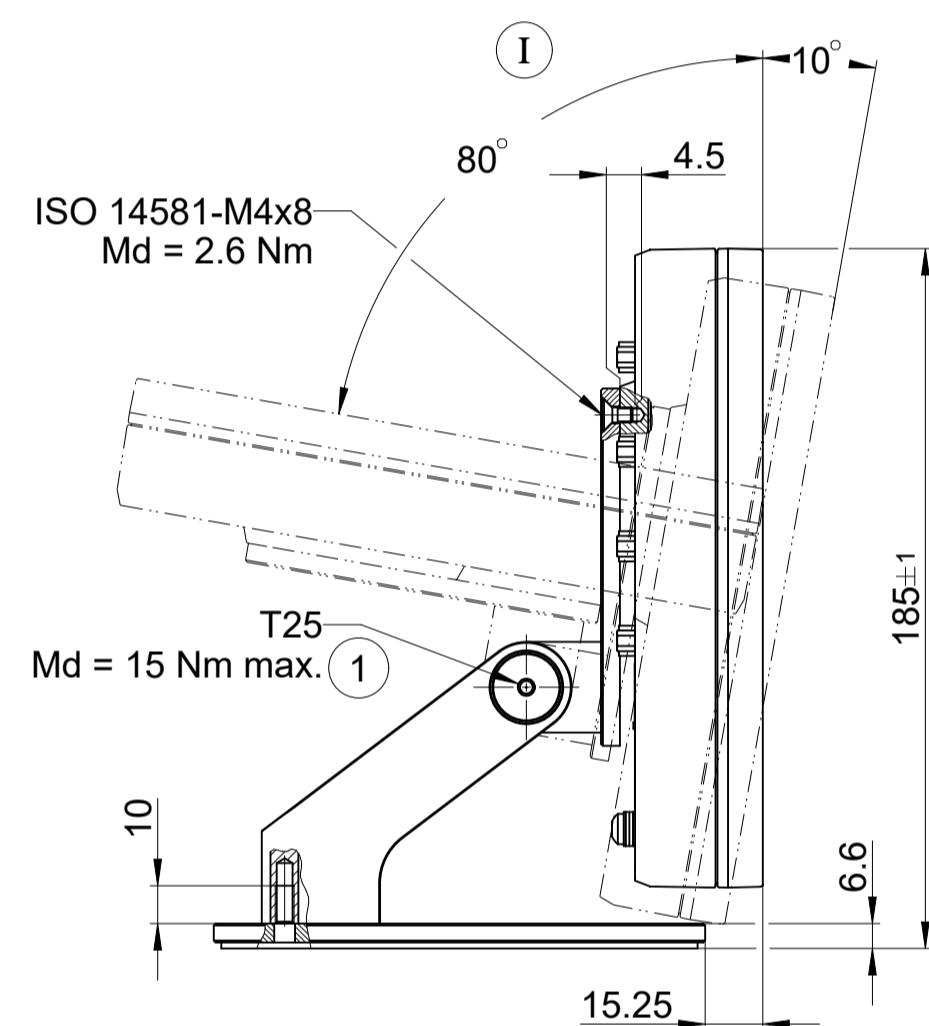
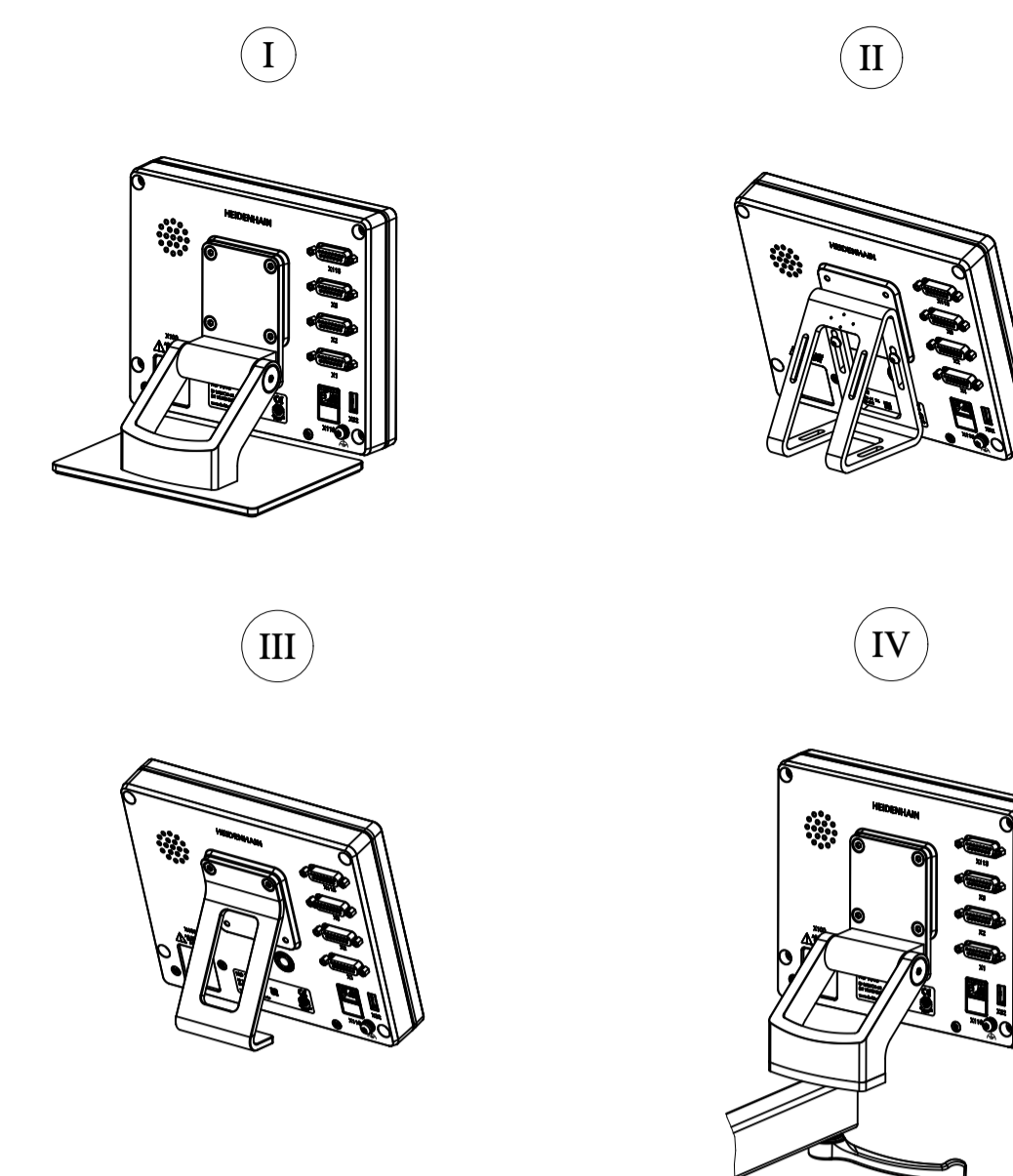
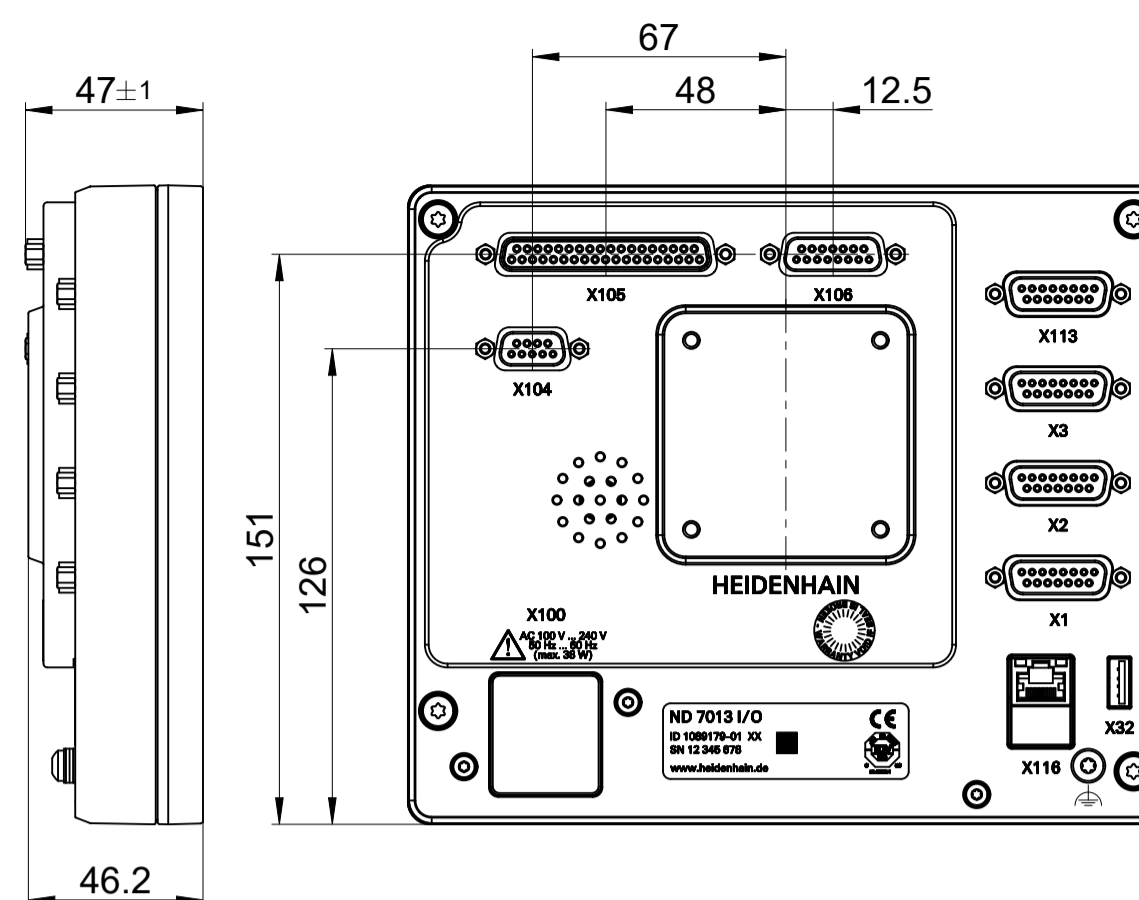
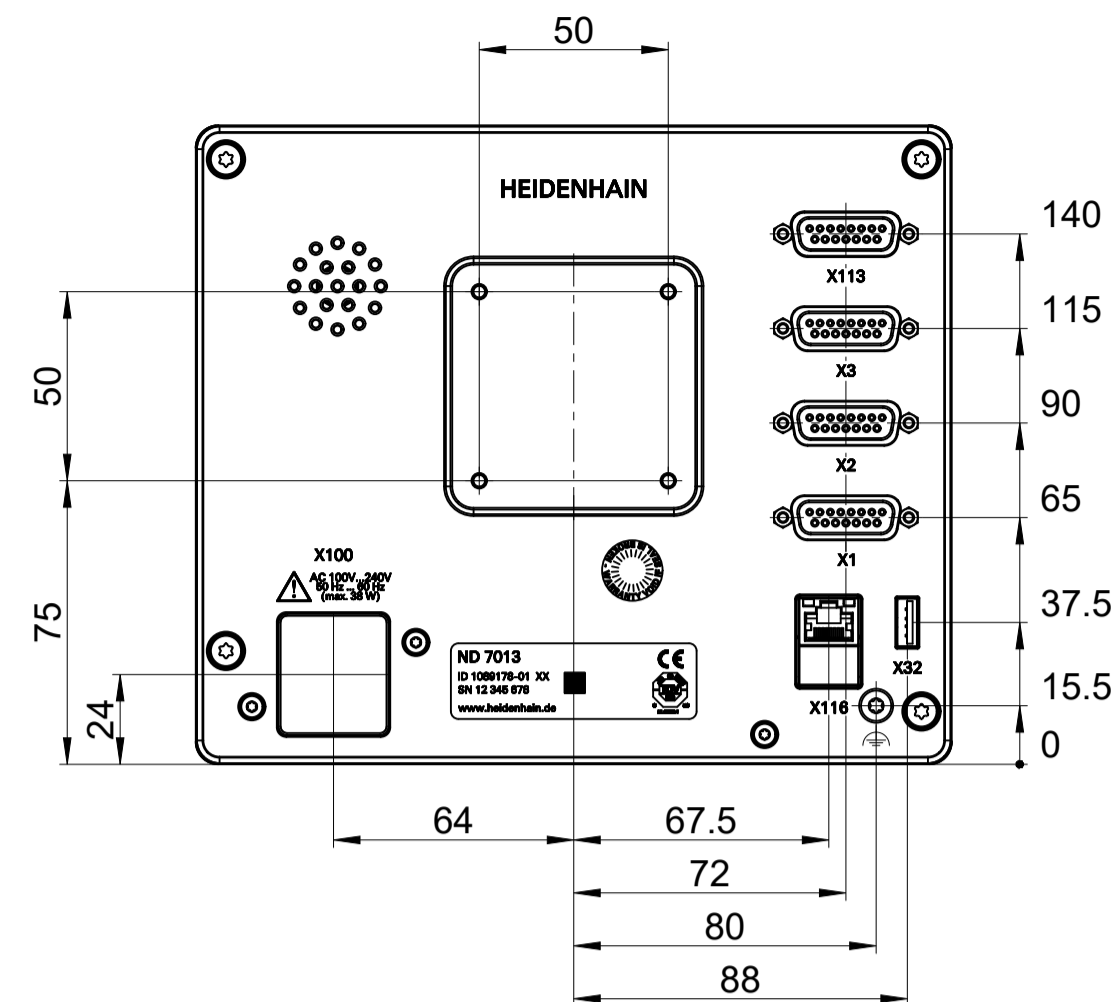
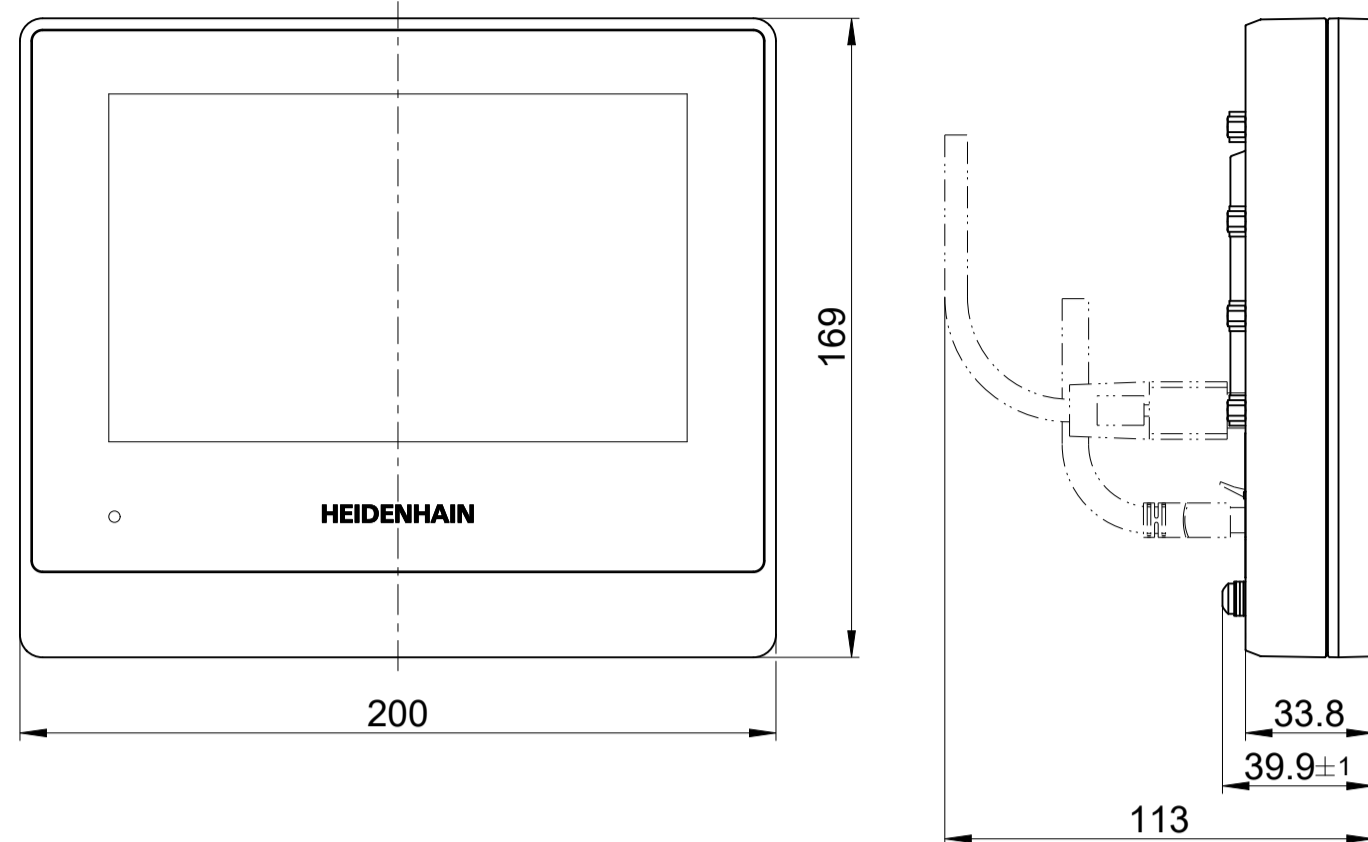


ND 7013 / GAGE-CHEK 2013

ND 7013 I/O / GAGE-CHEK 2013 I/O

Zubehör / Accessories
1:5



A

B

C

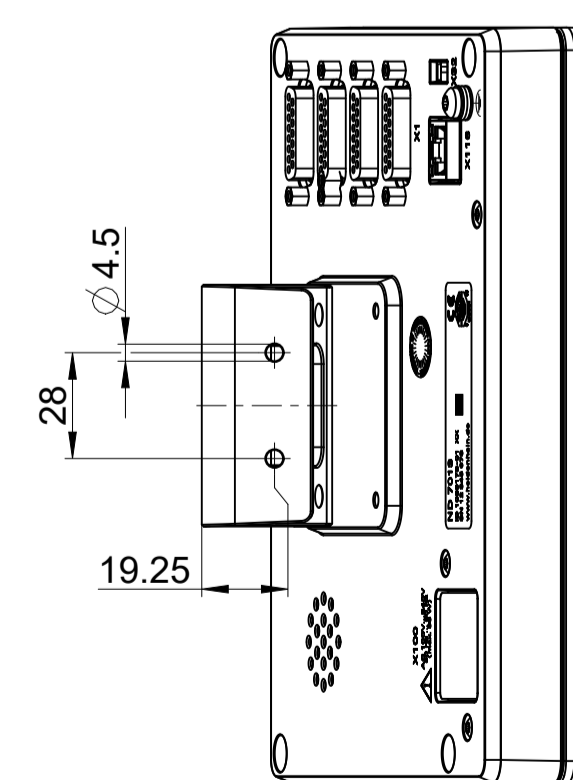
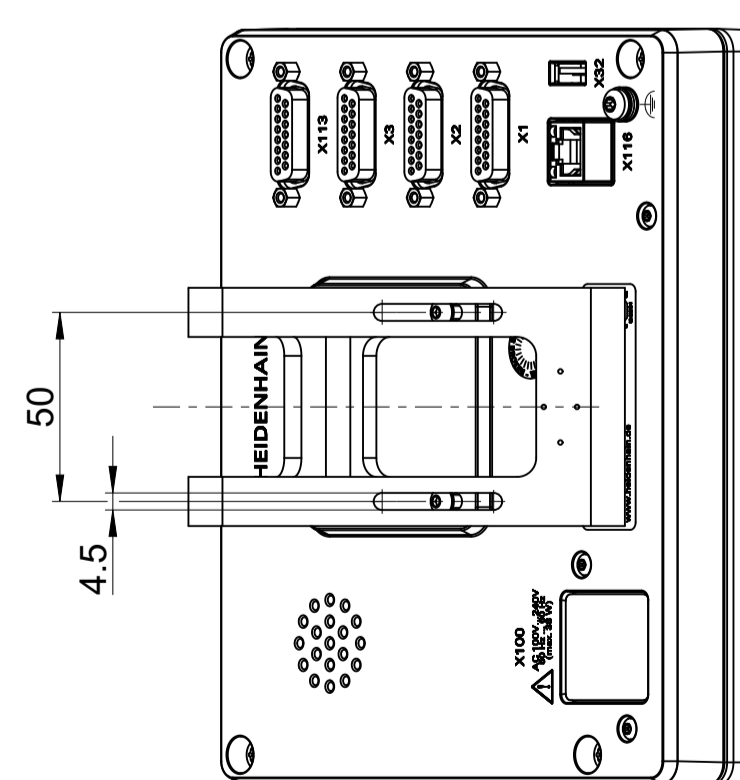
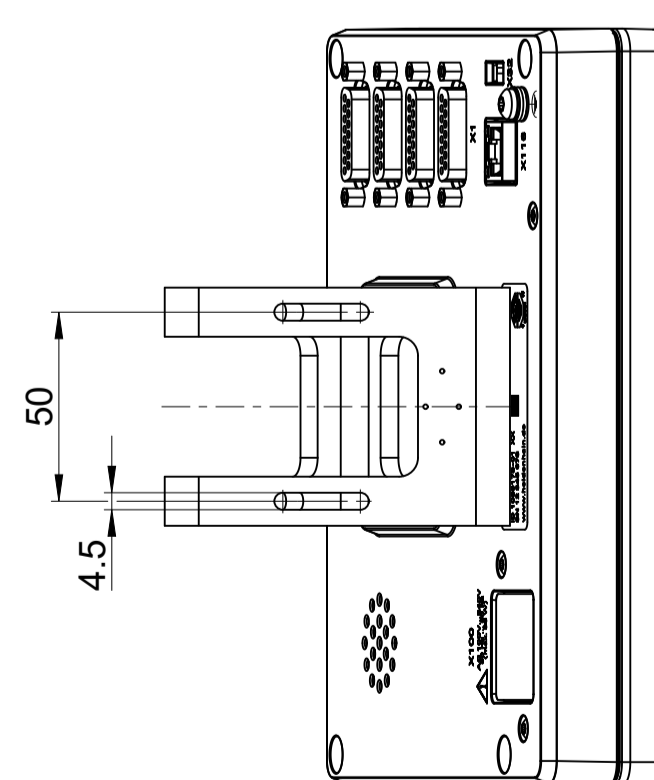
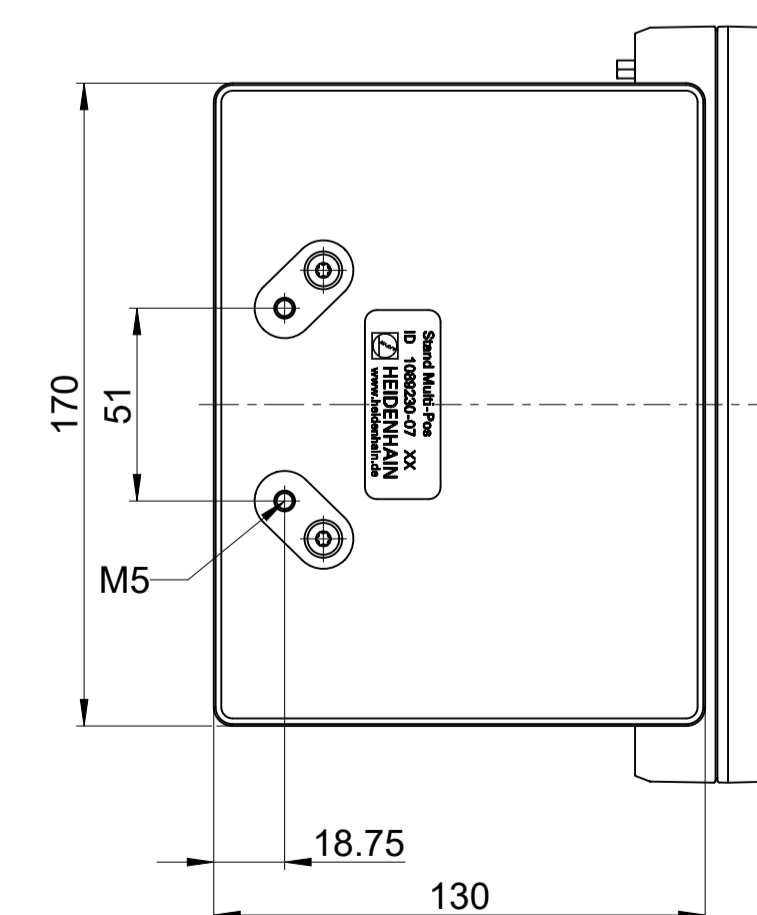
D

A

B

C

D



- Ⓘ = Standfuß Multi-Pos
ID 1089230-07
Stand Multi-Pos
ID 1089230-07
- Ⓜ = Standfuß Duo-Pos
ID 1089230-06
Stand Duo-Pos
ID 1089230-06
- Ⓝ = Standfuß Single-Pos
ID 1089230-05
Stand Single-Pos
ID 1089230-05
- ⓓ = Halter Multi-Pos
ID 1089230-08
Holder Multi-Pos
ID 1089230-08
- ① = Empfohlenes Anzugsdrehmoment:
Md = 5.2 Nm
Recommended tightening torque:
Md = 5.2 Nm

Original drawing		Scale		Format		ID number:	
1:2		A1		ND 7013 (I/O) / GC 20x3 (I/O)		C002177-60	
Dimensions in mm		1:2		ND 7000/GC 2000/QC 2000		Change No.	
				Anschlussmaße / Mating Dimensions		C002177-60	
						Series	
						Tolerances as per ISO 8015	
						General Tolerances ISO 2768-1:2008-mH ±0.2	
						Released	
						Version / Revision / Sheet / Page	
						10.10.2022	
						D1243237-00-B-01	
						1 of 1	

HEIDENHAIN
DR. JOHANNES HEIDENHAIN GmbH
83301 Traunreut, Germany