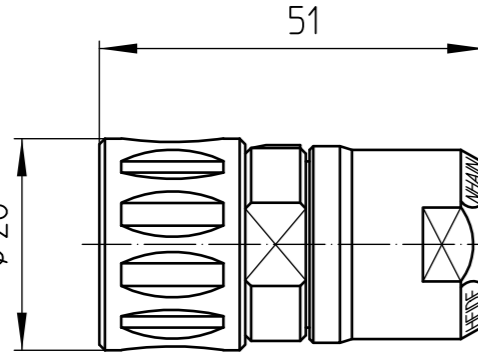
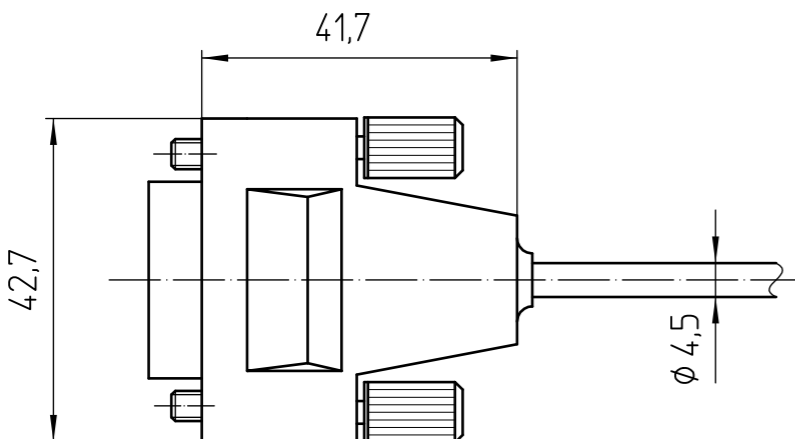


ANELA1 51B015



ANELA1 02B012



ANELA1 16B015

Ø4,5 DIA .18"	3 *	10 *	≥50	≥2"	≥10	≥.4"
	m	ft	mm	inch	mm	inch
	Standard Kabellänge L Cable length L		Dauerbiegung Frequent flexing		Einmalige Biegung Rigid configuration	
	Biegeradius R min. Bending radius R min.					

* = größere Kabellängen entsprechend Geräte-Spezifikation
larger cable lengths are available as per specifications

L = Kabellänge
Cable length

—□ = Stift
Male

—C = Buchse
Female

Statusanzeige

Original drawing			IDnumber:		
Scale Format			Change No. C130808-21		
EIB 3011/3091			Phase: Serie		
Dimensions in mm			Tolerances as per ISO 8015		
1:1 A3			General Tolerances ISO 2768:1989-mH ±0.2		
The reproduction, distribution and utilization of this document as well as the communication of its contents to others without express authorization is prohibited. Offenders will be held liable for the payment of damages. All rights reserved in the event of a patent, utility model or design. (ISO 16016)					
HEIDENHAIN DR. JOHANNES HEIDENHAIN GmbH 83301 Traunreut, Germany			Released	Version Revision Sheet	1 of 1
			29.08.2022	D 1237330-00-A-02	Document number