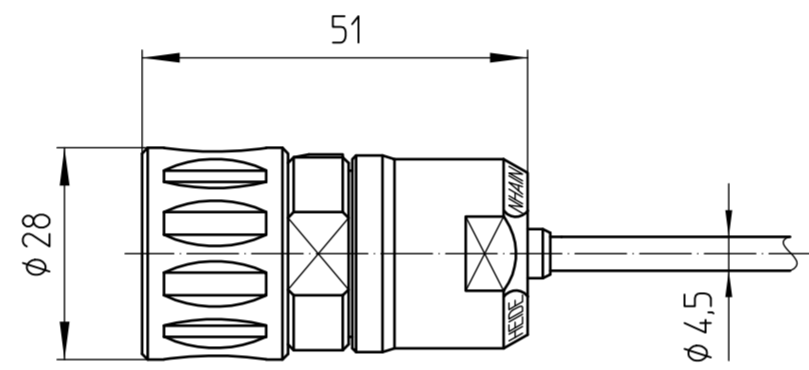
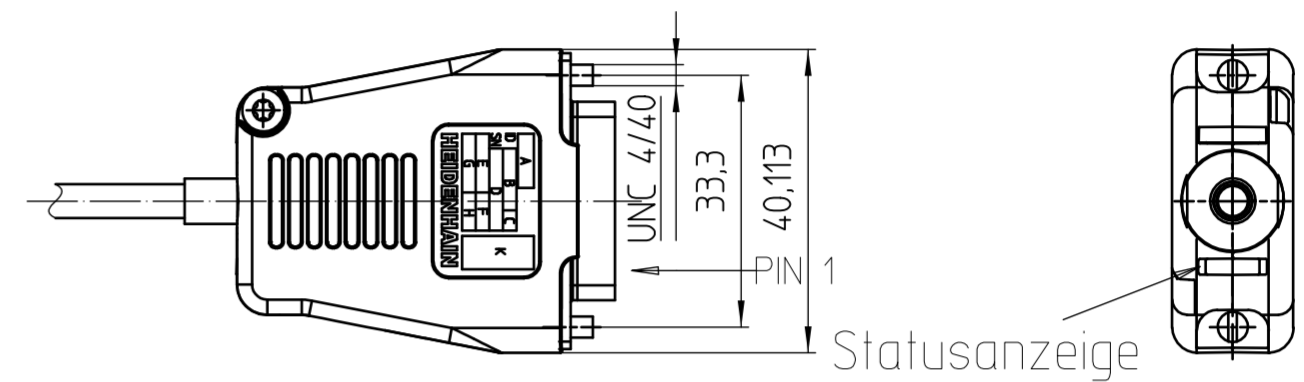
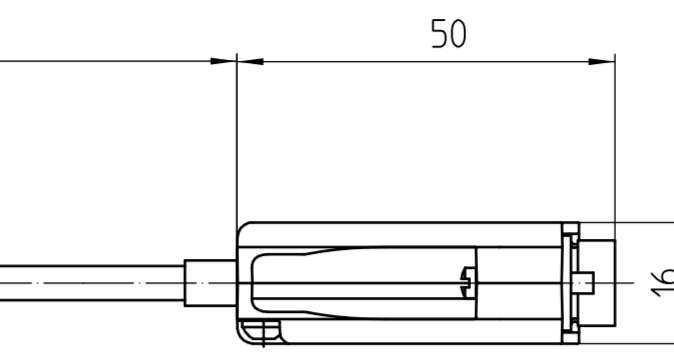
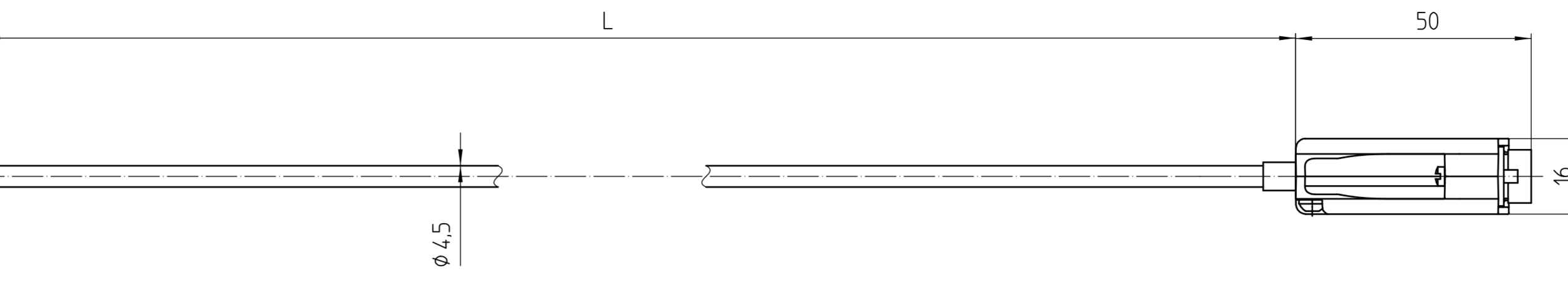
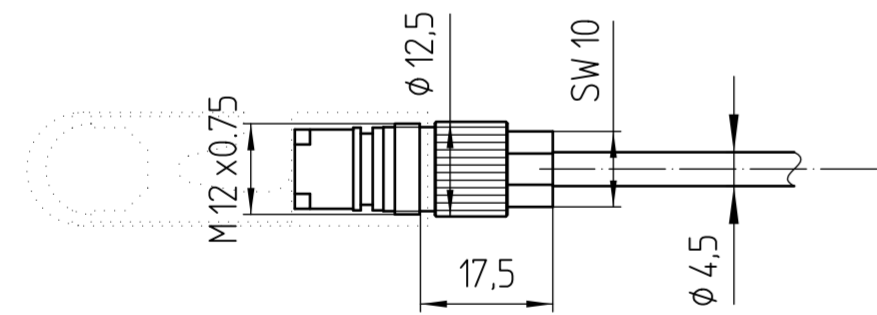


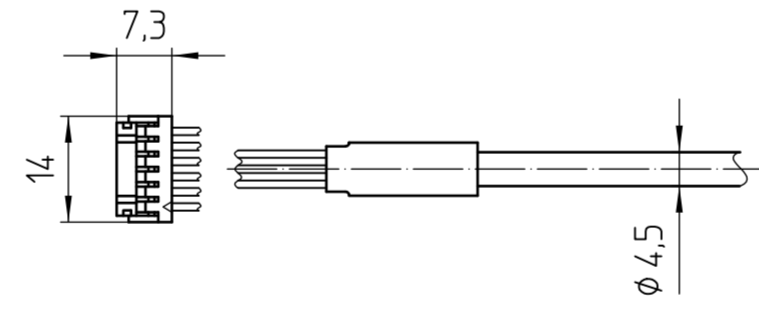
ANELA1 51B015



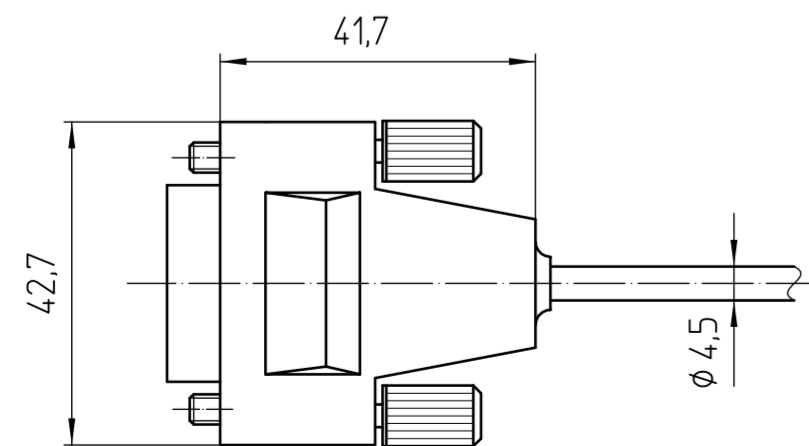
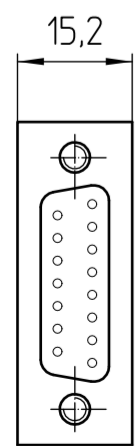
ANELA1 02B012



ANELA1 0TB014



ANELA1 0GB12



ANELA1 16B015

$\phi 4,5$ DIA .18"	3 *	10 *	≥ 50	$\geq 2"$	≥ 10	$\geq 4"$
	m	ft	mm	inch	mm	inch
Standard		Dauerbiegung Frequent flexing		Einmalige Biegung Rigid configuration		
Kabellänge L Cable length L		Biegeradius R min. Bending radius R min.				

* = größere Kabellängen entsprechend Geräte-Spezifikation

larger cable lengths are available as per specifications

L = Kabellänge

Cable length

—| = Stift

Male

—C = Buchse

Female

Original drawing Scale: 1:1 Format: A2			IDnumber: Change No. C065661-11 Phase: Serie
Dimensions in mm: 1:1, A2, Anschlussmaße			Tolerierung nach DIN ISO 8015 Tolerances as per DIN ISO 8015 Allgem.toleranzen ISO 2768-mH $\pm 0,2$ General tolerances ISO 2768-mH $\pm 0,2$
HEIDENHAIN DR.JOHANNES HEIDENHAIN GmbH 83301 Traunreut, Germany			Version Revision Sheet D 1237330-00-A-01 Document number

The reproduction, distribution and utilization of this document as well as the communication of its contents to others without express authorization is prohibited. Offenders will be held liable for the payment of damages. All rights reserved in the event of the grant of a patent, utility model or design. (ISO 16016)