

14.8<sup>+0.2</sup><sub>-0.1</sub>  
 vergrößert sich bei  
 Maximaldruck (1,8bar)  
 um bis zu 0,3mm

20.15<sup>+0.2</sup><sub>-0.1</sub>  
 verkleinert sich bei  
 Maximaldruck (1,8bar)  
 um bis zu 0,3mm

121.6<sup>+0.6</sup><sub>-0.6</sub>

35.5<sup>+0.5</sup><sub>-0.5</sub>  
 Messbolzenende

19.1<sup>+0.4</sup><sub>-0.4</sub>

12.7<sup>+0.4</sup><sub>-0.2</sub>  
 (ML12)

6<sup>+0.1</sup><sub>-0.1</sub>

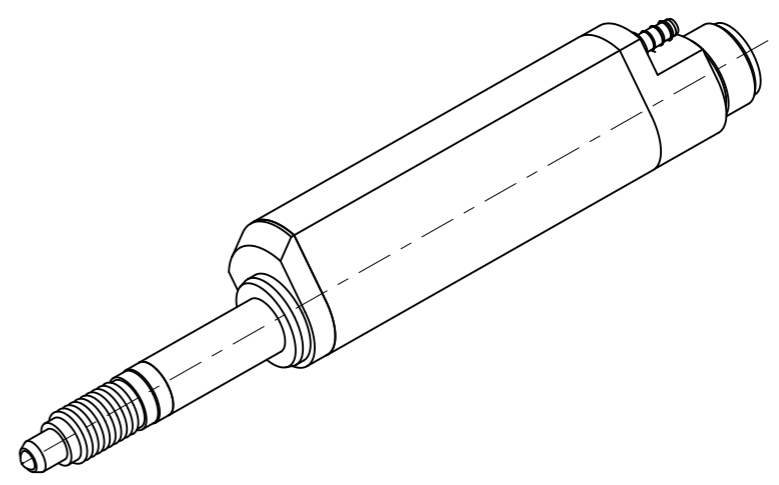
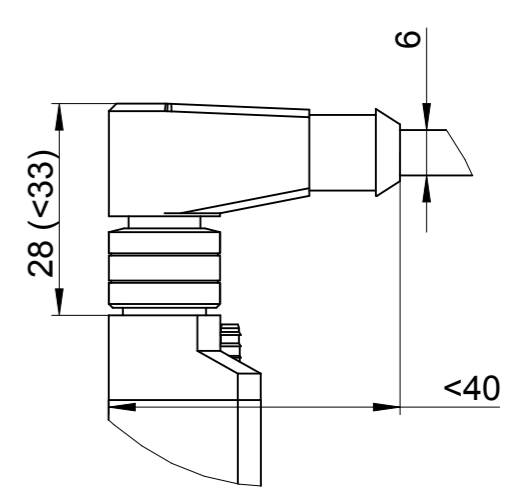
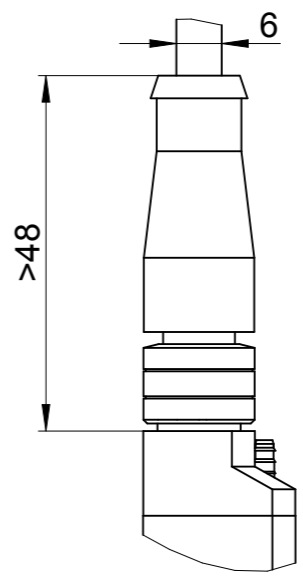
∅ 4.5<sup>+0.6</sup><sub>0</sub>

M2.5

3.4<sup>+0.2</sup><sub>-0.2</sub>

7.5<sup>+0.2</sup><sub>-0.2</sub>

M12x1



H1 = Luftanschluss für 2mm Schlauch

			ID number: 680982-01
			Change No. C062887-50
			Phase: Serie
	Original drawing	<b>AT 1217</b> <b>AT 1217</b> Anschlussmaße / Mating Dimensions	
	Scale   Format		
Dimensions in mm	1:1   A3	Tolerierung nach DIN ISO 8015 Tolerances as per DIN ISO 8015	
			Allgemeintol. ISO 2768-mH ≤6mm: ±0,2 General tol. ISO 2768-mH ≤6mm: ±0,2
The reproduction, distribution and utilization of this document as well as the communication of its contents to others without express authorization is prohibited. Offenders will be held liable for the payment of damages. All rights reserved in the event of the grant of a patent, utility model or design. ( ISO 16016 )			
<b>HEIDENHAIN</b> DR. JOHANNES HEIDENHAIN GmbH 83301 Traunreut, Germany			Version   Revision   Sheet   Page
			<b>D1235934-00-A-01</b> Document number