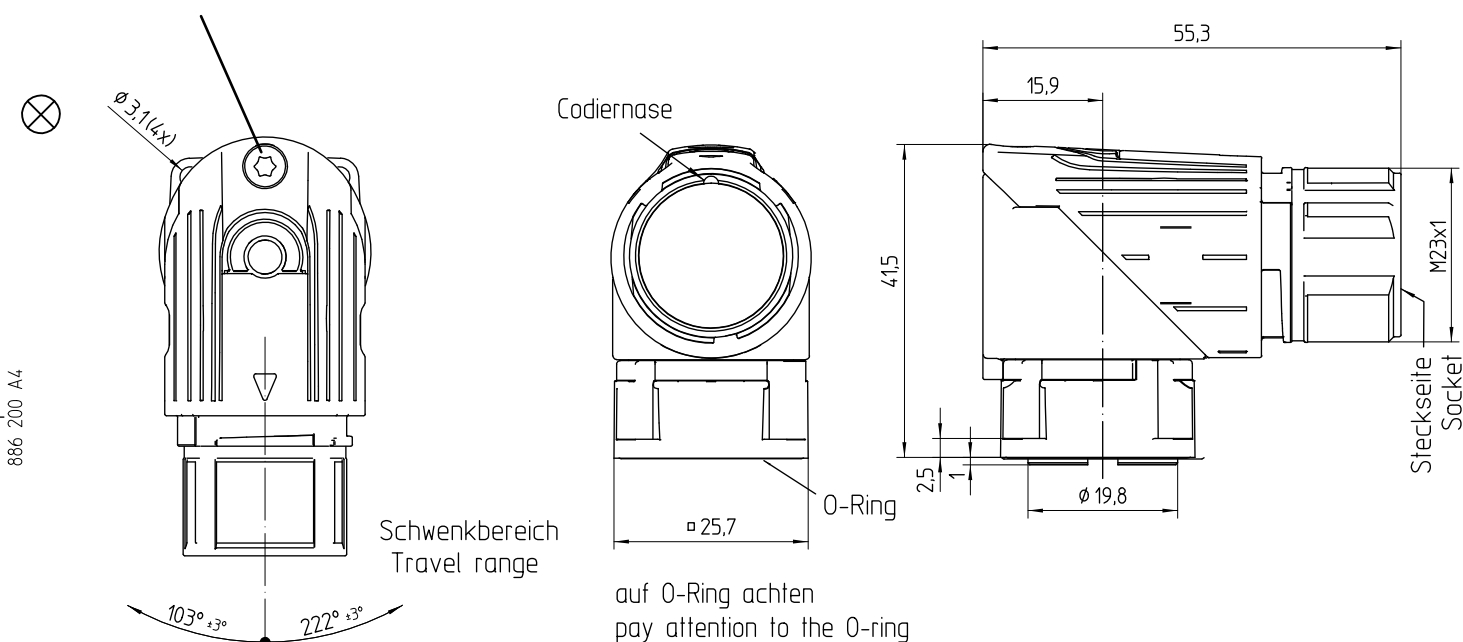


Lochkreis-Durchmesser 28mm
 bolt-hole circle diameter 28mm

Senkkopfschraube M3x10 DIN267-30
 Anziehdrehmoment 1,2 Nm ±0,1 Nm

Countersunk screw M3x10 DIN267-30
 Torque 1,2 Nm ±0,1 Nm



886 200 A4

			IDnumber:
			Change No. C056908-5 Phase: Serie
	Original drawing Scale	Format	Tolerances as per ISO 8015
Dimensions in mm	1:1	A4	General Tolerances ISO 2768:1989-mH ±6mm: ± 0,2
Winkelflanschdose M23-SpeedTEC Anschlussmaße			

The reproduction, distribution and utilization of this document as well as the communication of its contents to others without express authorization is prohibited. Offenders will be held liable for the payment of damages. All rights reserved in the event of the grant of a patent, utility model or design. (ISO 16016)

HEIDENHAIN DR. JOHANNES HEIDENHAIN GmbH 83301 Traunreut, Germany	Released	Version	Revision	Sheet
	26.07.2017	D 1218918 - 00 - F - 01		1 of 1
Document number				