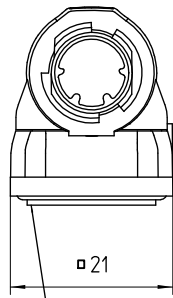
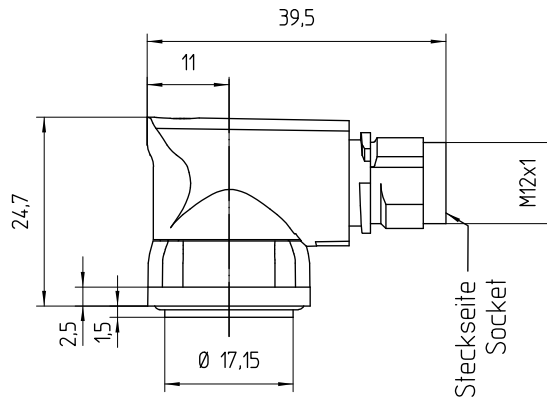


Lochkreis-Durchmesser 23,75mm  
bolt-hole circle diameter 23,75mm

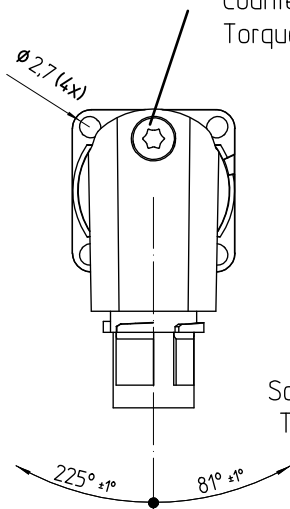


auf O-Ring achten  
pay attention to the O-ring



Senkkopfschraube M3x8 DIN267-30  
Anziehdrehmoment 1,2 Nm ±0,1 Nm

Countersunk screw M3x8 DIN267-30  
Torque 1,2 Nm ±0,1 Nm



Schwenkbereich  
Travel range

886 200 A4

			IDnumber:
			Change No. C087027-3 Phase: Serie
	Original drawing Scale	Format	Tolerances as per ISO 8015
Dimensions in mm	1:1	A4	General Tolerances ISO 2768:1989-mH ±0,2
angle flange socket M12-SpeedTEC			
Mating Dimensions			

The reproduction, distribution and utilization of this document as well as the communication of its contents to others without express authorization is prohibited. Offenders will be held liable for the payment of damages. All rights reserved in the event of the grant of a patent, utility model or design. ( ISO 16016 )

**HEIDENHAIN**  
DR. JOHANNES HEIDENHAIN GmbH  
83301 Traunreut, Germany

Released

24.01.2020

Version Revision Sheet

D 1218918 - 00 - E - 06

Document number

1  
of  
1