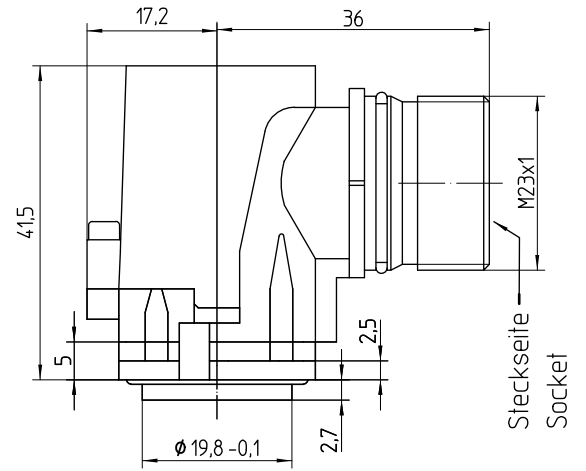
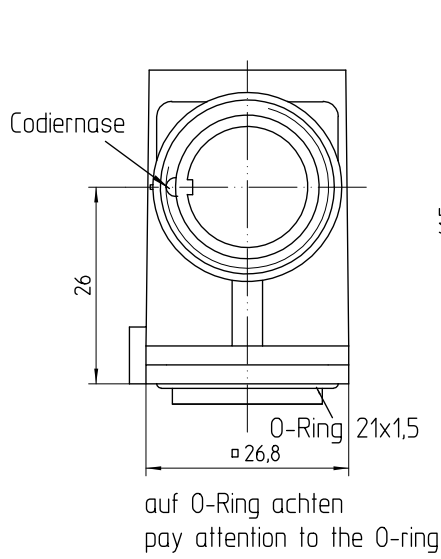
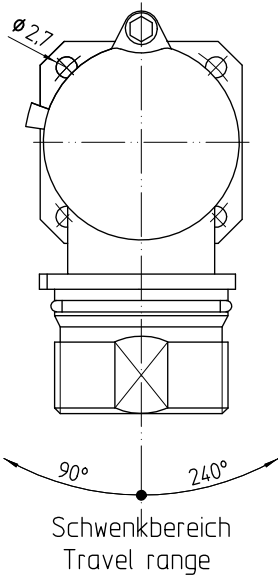


Lochkreis-Durchmesser 28mm
bolt-hole circle diameter 28mm



886 200 A4

			IDnumber:
			Change No. C056908-10 Phase: Serie
	Original drawing Scale	Format	Tolerierung nach DIN ISO 8015 Tolerances as per DIN ISO 8015
Dimensions in mm	1:1	A4	Allgemeintoleranzen ISO 2768-mH ±0.2mm General tolerances ISO 2768-mH ±0.2mm

Winkelflanschdose M23
Anschlussmaße

The reproduction, distribution and utilization of this document as well as the communication of its contents to others without express authorization is prohibited. Offenders will be held liable for the payment of damages. All rights reserved in the event of the grant of a patent, utility model or design. (ISO 16016)

HEIDENHAIN DR. JOHANNES HEIDENHAIN GmbH 83301 Traunreut, Germany	Version	Revision	Sheet	
	D 1218918 - 00 - A - 02			1 of 1
Document number				