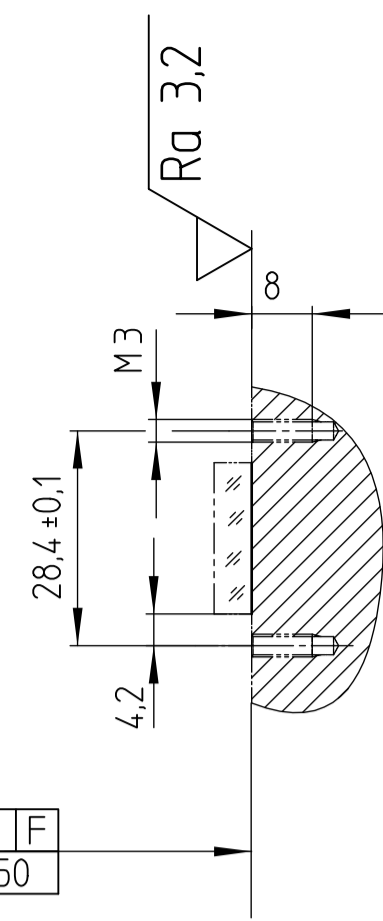
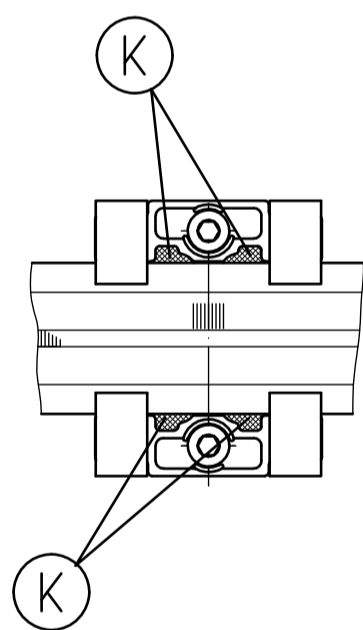


0,1 F
0,01/250



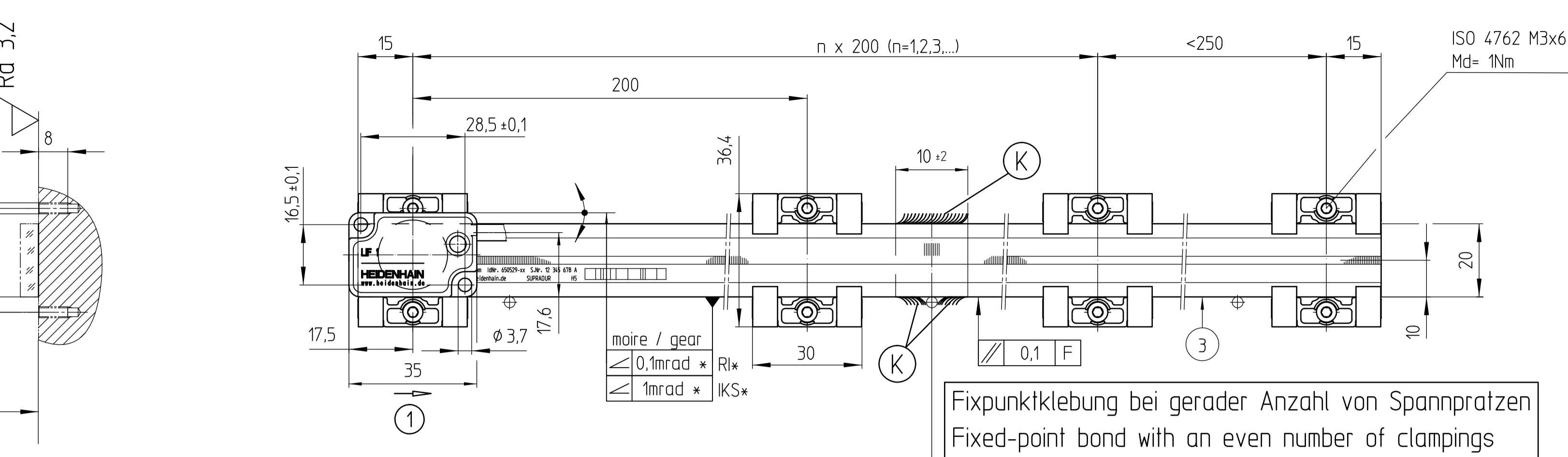
Fixpunktklebung bei ungerader Anzahl von Spannpratzen
Fixed-point bond with an odd number of clampings



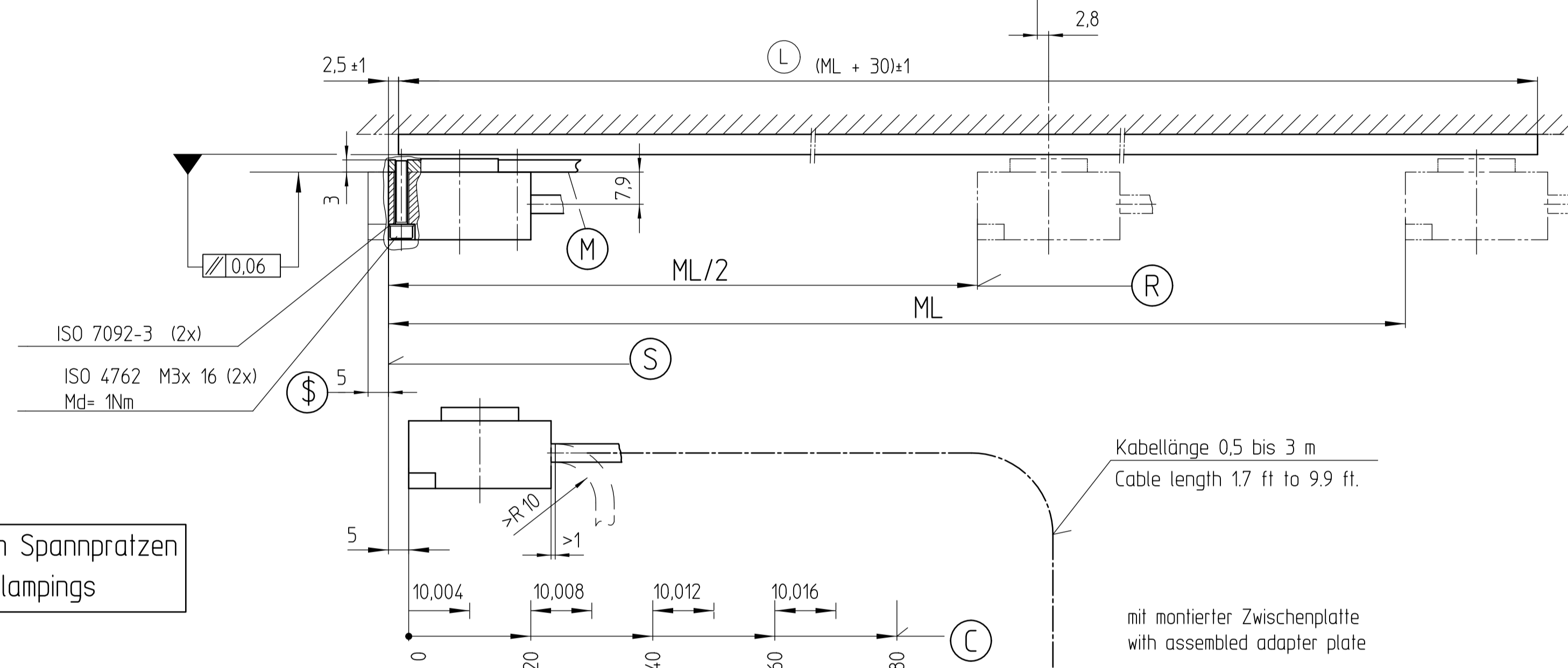
Position Anschlagstifte
Position stop pins

ML < 2040

ML > 2040

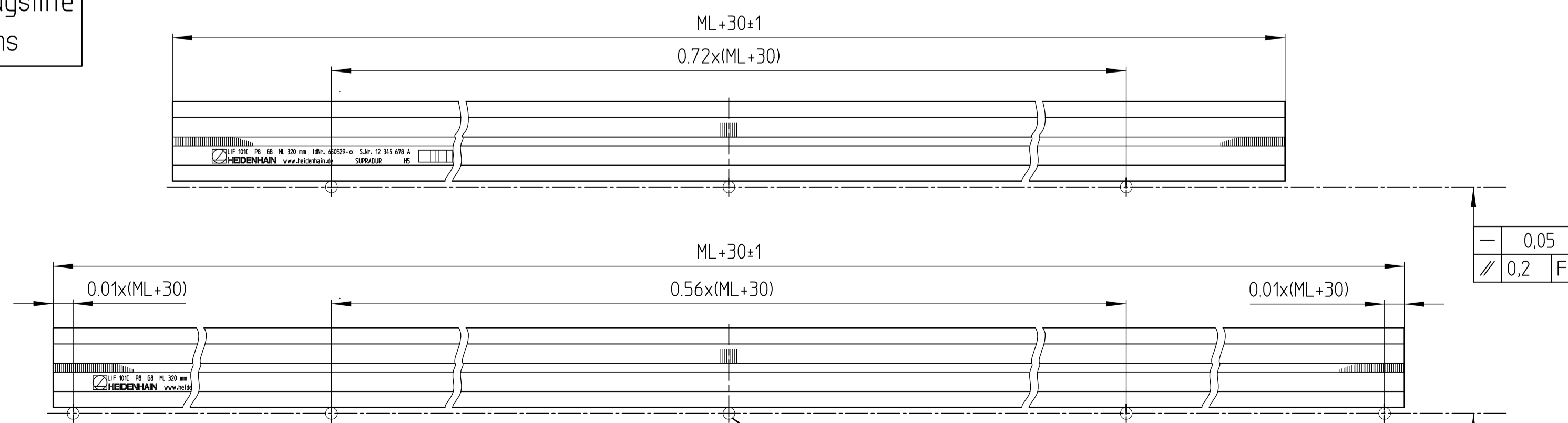
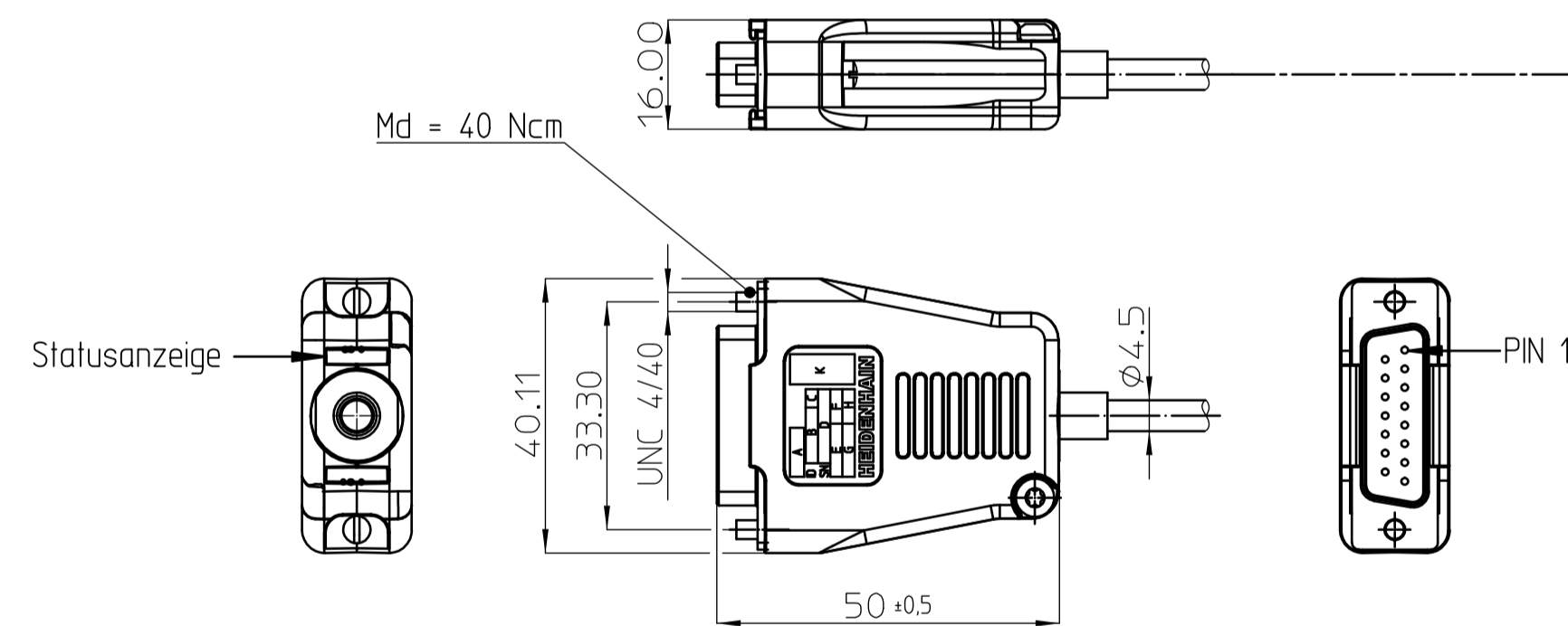


Fixpunktklebung bei gerader Anzahl von Spannpratzen
Fixed-point bond with an even number of clampings

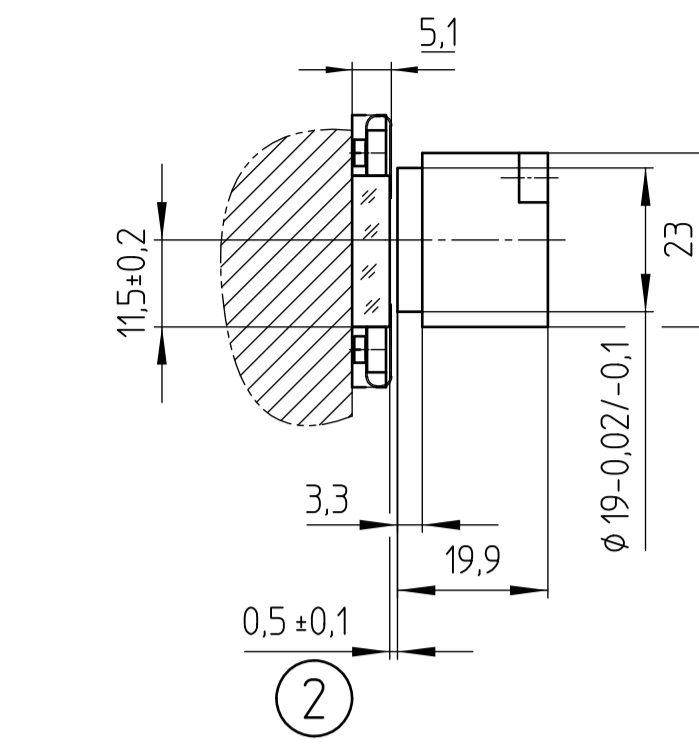


Kabellänge 0,5 bis 3 m
Cable length 1.7 ft to 9.9 ft.

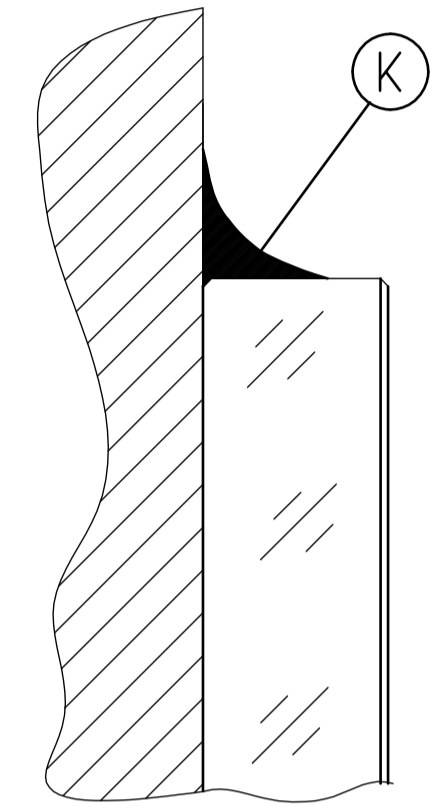
mit montierter Zwischenplatte
with assembled adapter plate



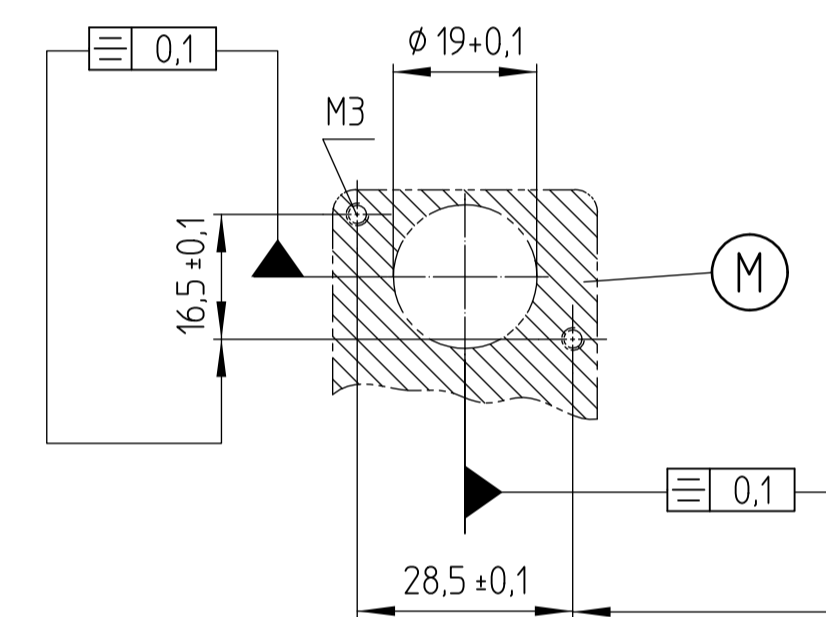
Empfehlung / Recommendation-Ø3



2



5 : 1



- (K) = Klebstoff Adhesive
- (L) = Maßstablänge Scale length
- F = Maschinenführung Machine guideway
- * = max. Änderung bei Betrieb Max. change during operation
- (R) = Referenzmarken-Lage LIF 101R/ 171R/ 181R Reference mark position LIF 101R/ 171R/ 181R
- (C) = Referenzmarken-Lagen LIF 101C/ 171C/ 181C Reference mark positions LIF 101C/ 171C/ 181C
- (S) = Beginn der Messlänge ML Beginning of measuring length ML
- (\$) = zulässiger Überlauf Permissible idle travel
- (M) = Montagefläche für Abtastkopf Mounting surface for scanning head
- ① = Positive Bewegungsrichtung Positive direction
- ② = Montageabstand Abtastkopf zu Maßstab Mounting gap
- ③ = Anschlagfläche Maßstab Stop surface scale
- ML = Messlänge Measuring length

Original drawing		LIF 1x1R/C		Change No.	C039757-65
Scale		Format		Phase	Serie
Dimensions in mm	1:1	A1	Anschlussmaße	Tolerierung nach DIN ISO 8015 Tolerances as per DIN ISO 8015	
				Abmessungen ISO 2768-mS 50mm ± 0.2 General tolerances ISO 2768-mS 50mm ± 0.2	
The reproduction, distribution and utilization of this document as well as the communication of its contents to others without express authorization is prohibited. Offenders will be held liable for the payment of damages. All rights reserved in the event of the grant of a patent, utility model or design. (ISO 8015)					
HEIDENHAIN DR. JOHANNES HEIDENHAIN GmbH 83301 Traunreut, Germany				Version Revision Sheet	
				D 1182813 - 01 - D - 01 1 of 1	