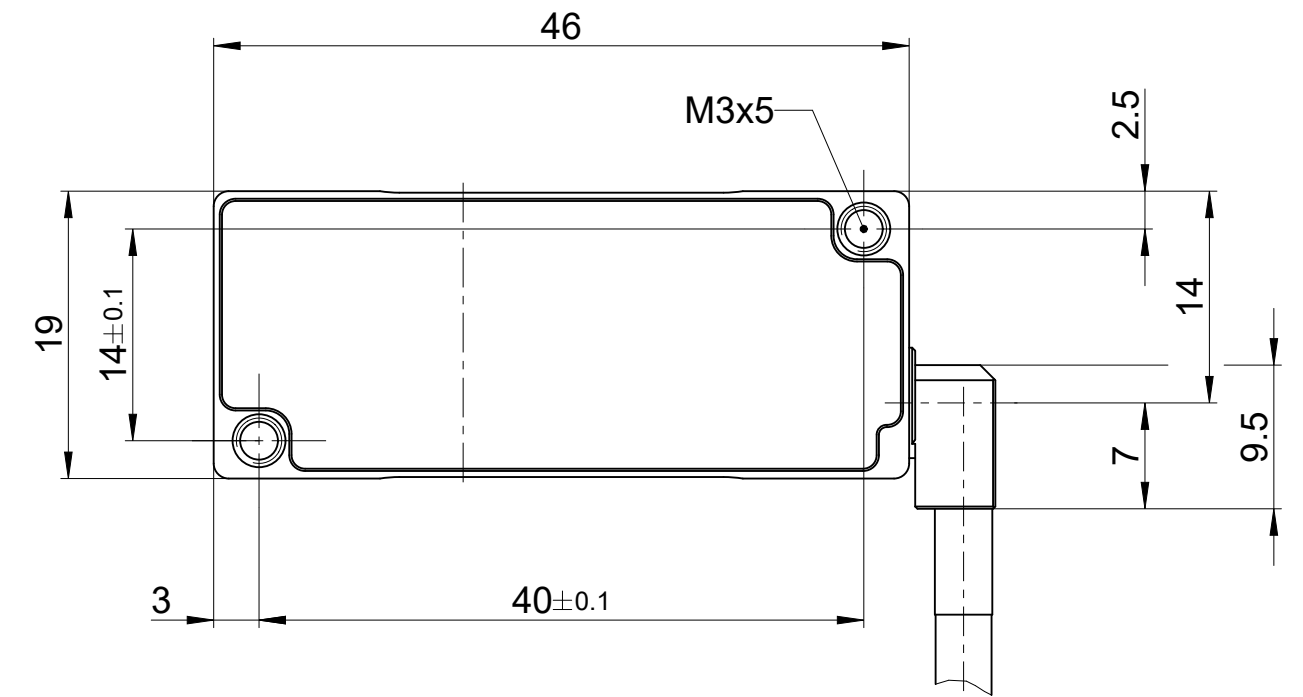
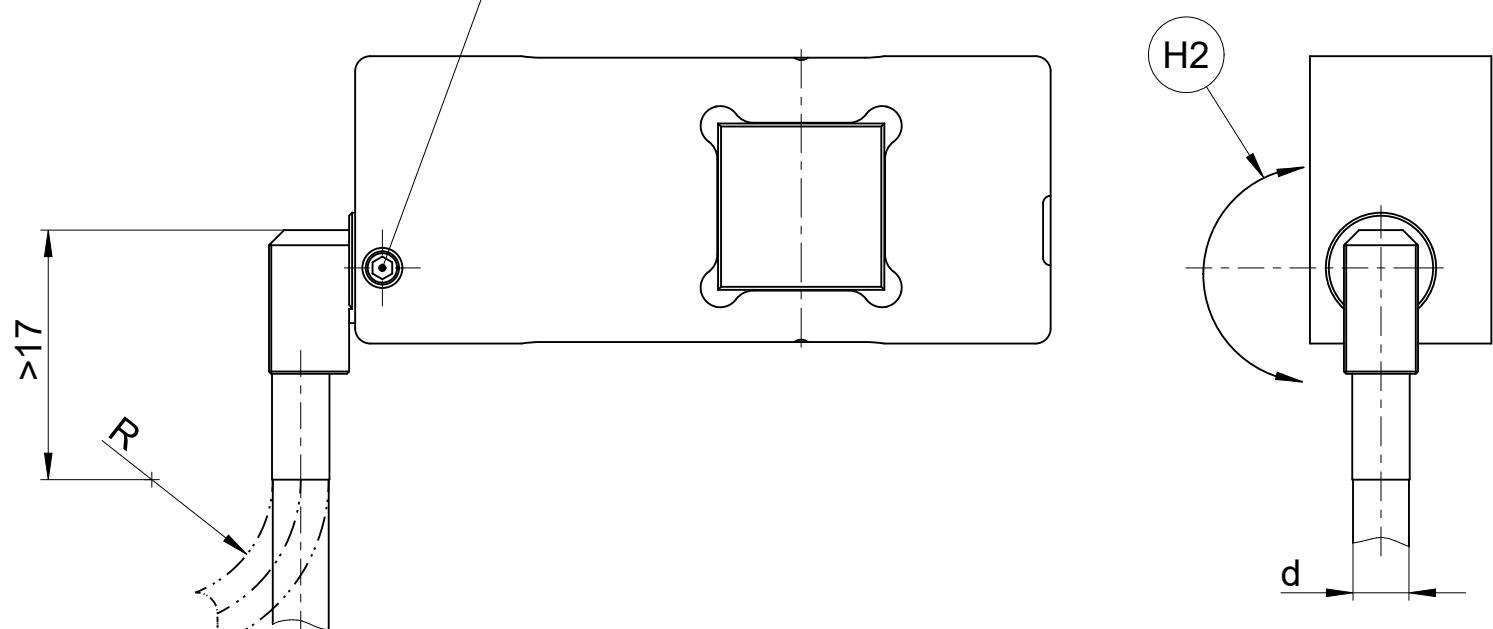


Klemmschraube (Schlüsselweite SW 1.3mm)  
Clamping screw (width across flats A/F 1.3mm)  
 $M_d = 30 \pm 1,8 \text{Ncm}$



Beiblatt für Abtastköpfe LIC 41x mit gewinkeltem Kabelausgang,  
nur gültig in Kombination mit Anschlussmaßzeichnungen LIC 411x/ LIC 419xF/M/P/Y

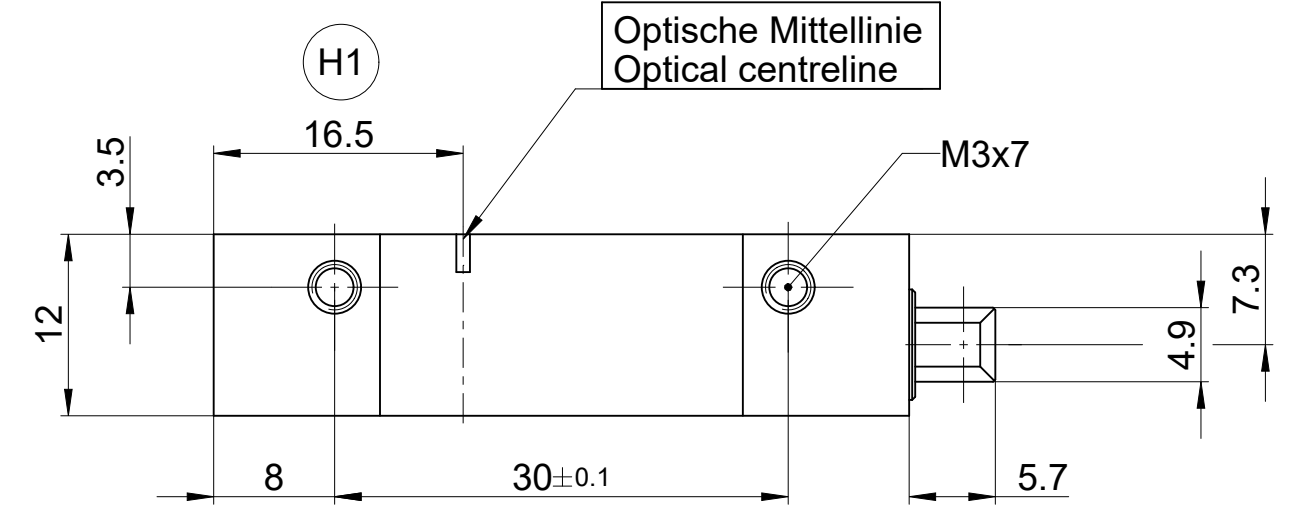
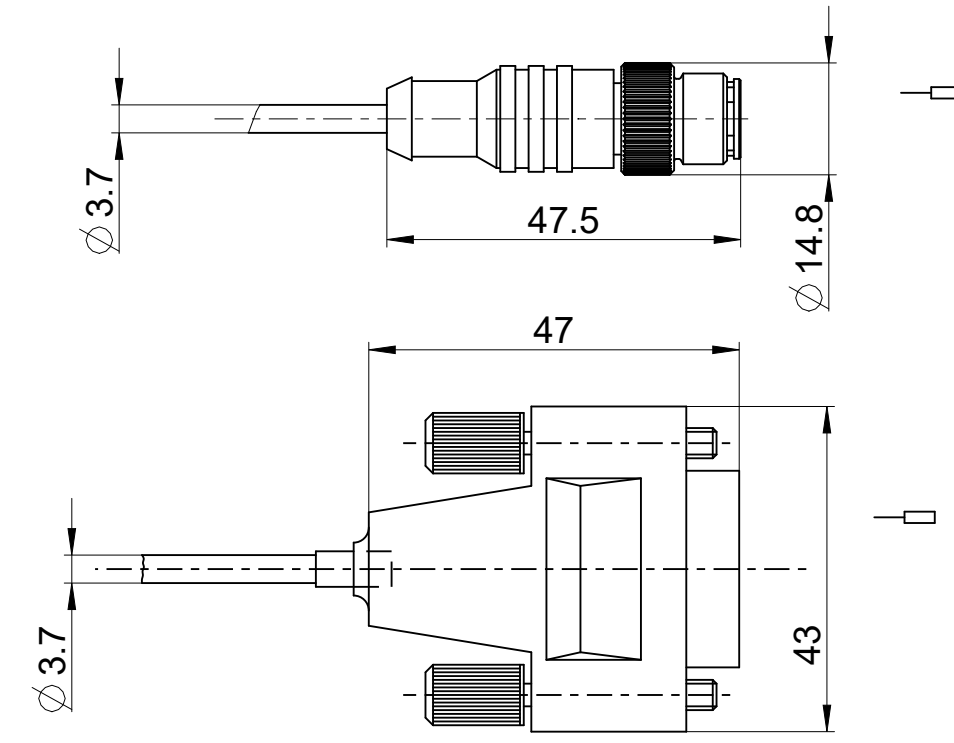
Supplemental sheet for scanning heads LIC 41x with angled cable outlet,  
only valid in combination with dimension drawings LIC 411x/ LIC 419xF/M/P/Y

886 200 A3

D

E

F



H1 = Optische Mittellinie      Optical centreline  
H2 = Kabelstellung ±90° einstellbar      Cable position ±90° adjustable

	d	R	R
		Feste Verlegung Rigid configuration	Wechselbiegung Frequent flexing
PUR	D 3.7 mm	> 8 mm	>= 40 mm

Original drawing		LIC 41x mit gewinkeltem Kabelausgang LIC 41x with angled cable outlet		ID number: 1154781-01
Scale		Anschlussmaße / Mating Dimensions		Change No. C160627-05
Format				Phase: Serie
Dimensions in mm	2:1	A3		Tolerances as per ISO 8015
				General Tolerances ISO 2768:1989-mH ≤6mm:±0,2
The reproduction, distribution and utilization of this document as well as the communication of its contents to others without express authorization is prohibited. Offenders will be held liable for the payment of damages. All rights reserved in the event of the grant of a patent, utility model or design. ( ISO 16016 )				
<b>HEIDENHAIN</b> DR. JOHANNES HEIDENHAIN GmbH 83301 Traunreut, Germany		Released 15.12.2023	Version <b>D1154781-04-A-01</b>	Revision Sheet Page 1 of 1
		Document number		