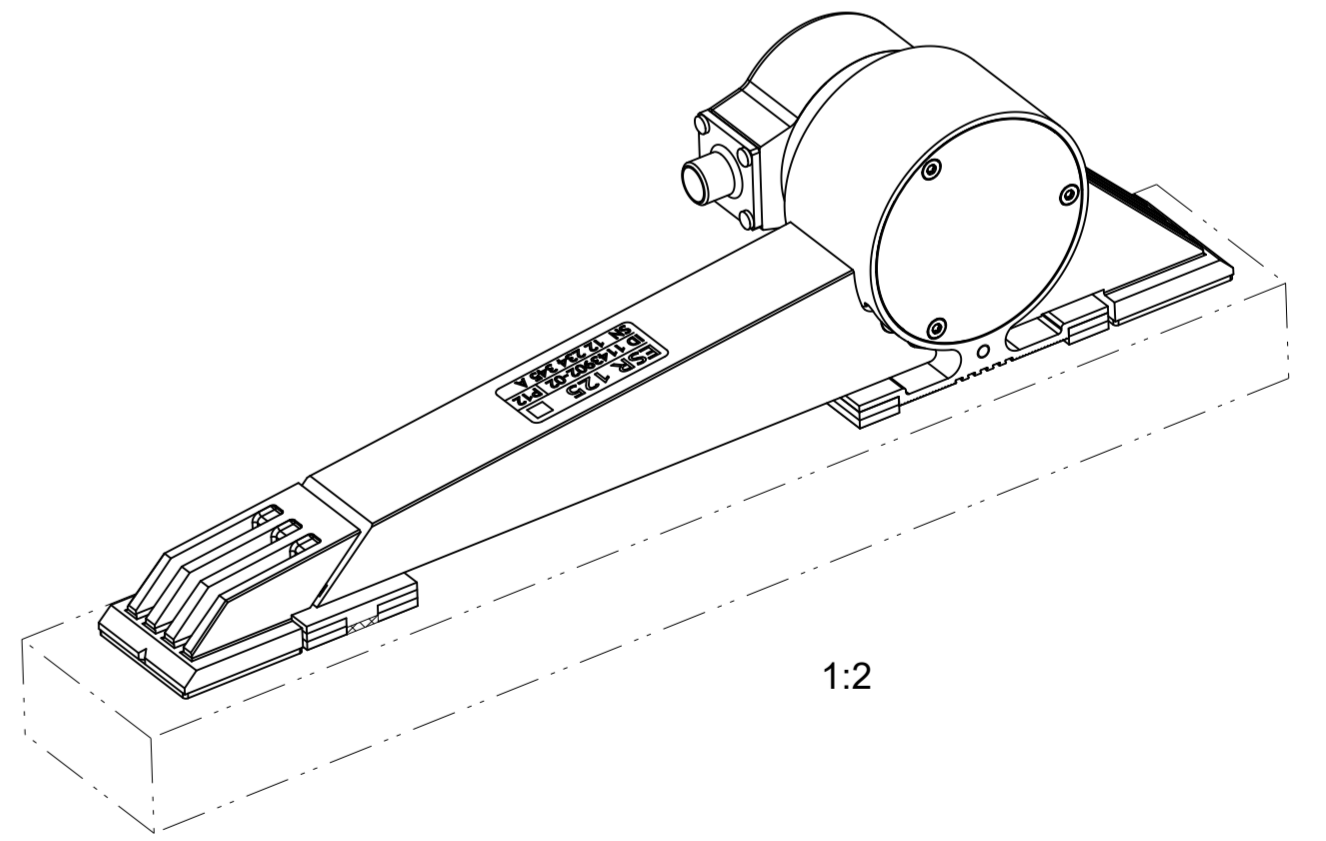
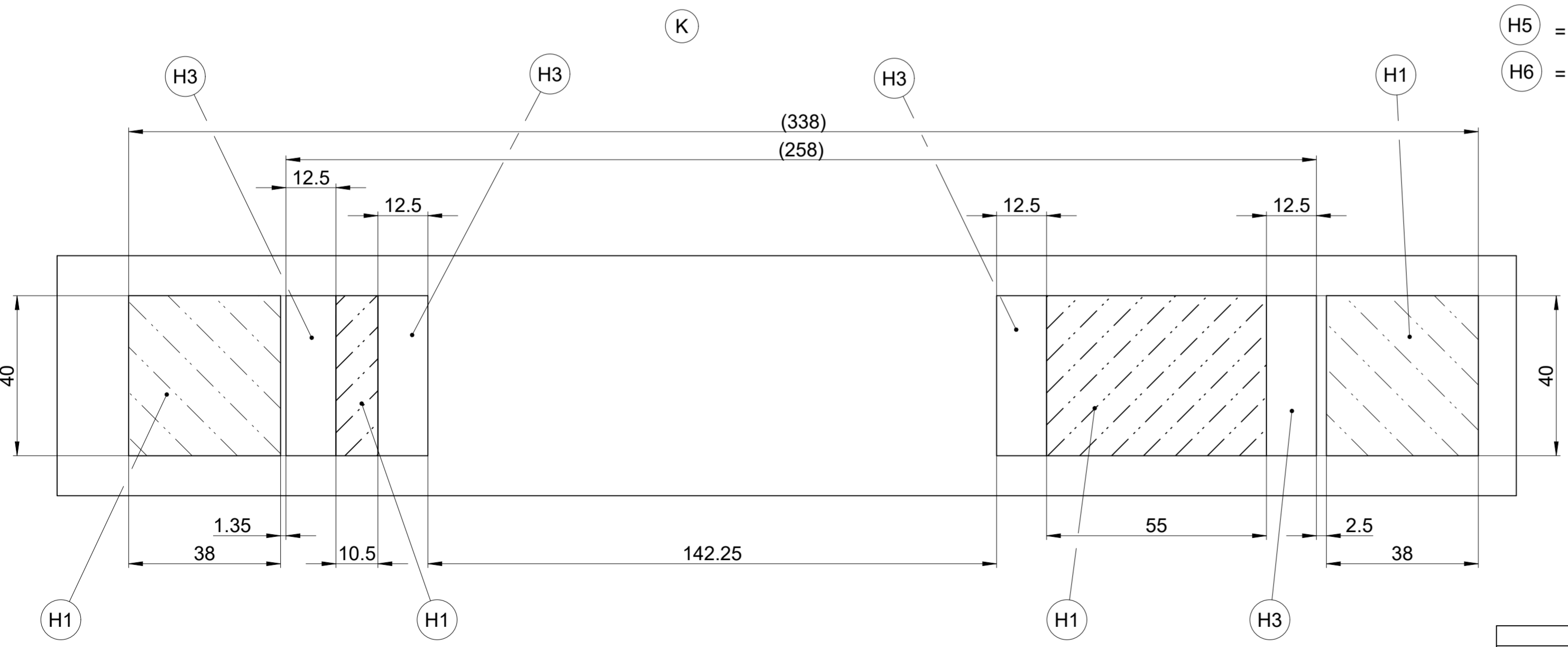


- | | |
|---|--|
| (K) = Kundenseitige Anschlussmaße | Required mating dimensions |
| (H1) = Klebefläche | Adhesive surface |
| (H2) = Flanschdose M12 - 8-pol. | Flange socket M12, 8-pin. |
| (H3) = Klettverschluss zur Befestigung | Velcro fastener for attachment |
| (H4) = Klebespalt vollständig gefüllt mit 2-Komponentenkleber: Plexus MA300 | Adhesion gap, completely filled with Plexus MA300 two-component adhesive |
| (H5) = Justiermarke | Alignment mark |
| (H6) = Erdungsanschluss | Earth connection |



Original drawing		ESR 125		ID number:	
Scale	Format	ESR 125		Change No.	C150082-10
Dimensions in mm	1:1 A2	Anschlussmaße / Mating Dimensions		Phase:	Serie
				Tolerances as per ISO 8015	
				General Tolerances ISO 2768:1989-mH ± 0.2	
The reproduction, distribution and utilization of this document as well as the communication of its contents to others without express authorization is prohibited. Offenders will be held liable for the payment of damages. All rights reserved in the event of the grant of a patent, utility model or design. (ISO 16016)					
HEIDENHAIN DR. JOHANNES HEIDENHAIN GmbH 83301 Traunreut, Germany			Released	Version	Revision
			17.11.2022	D1154605-01-A-01	
			Document number		Page 1 of 1