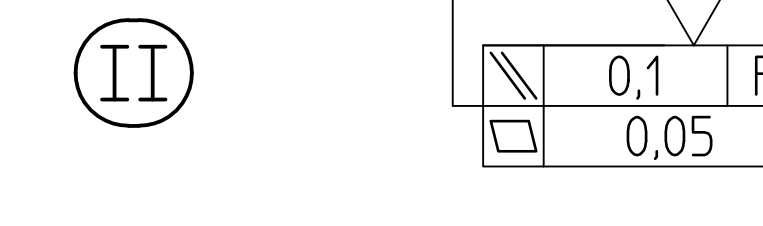
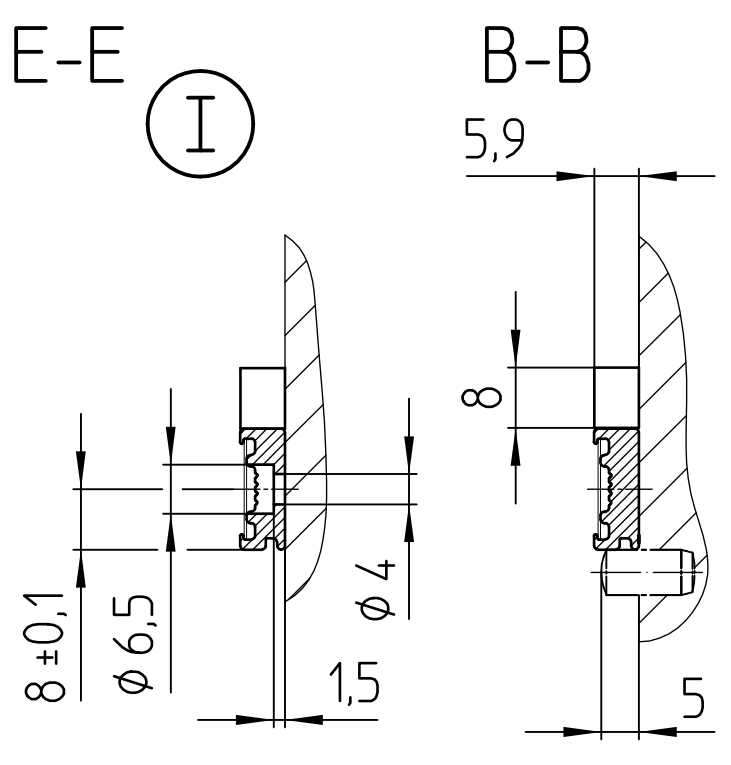
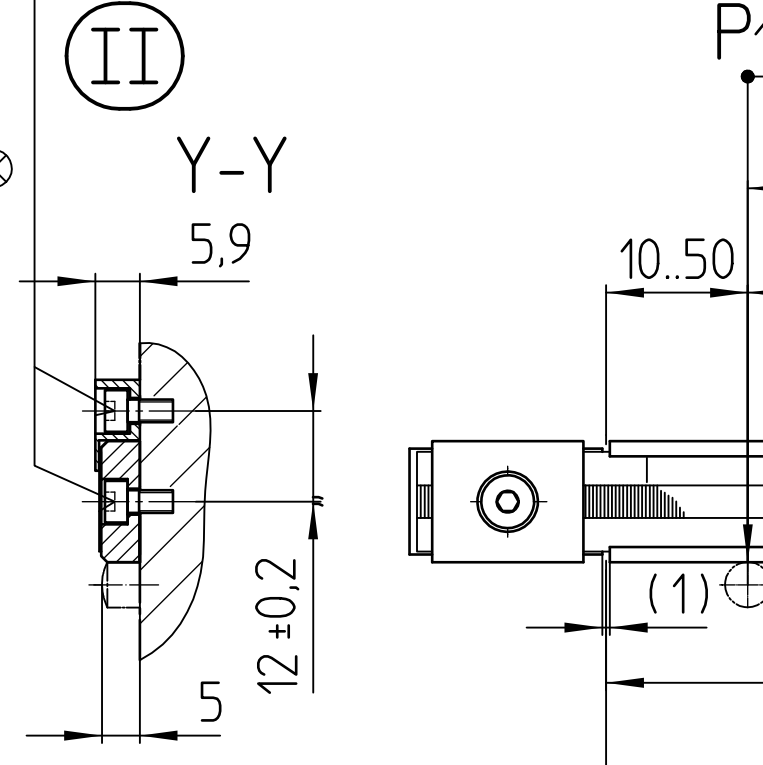
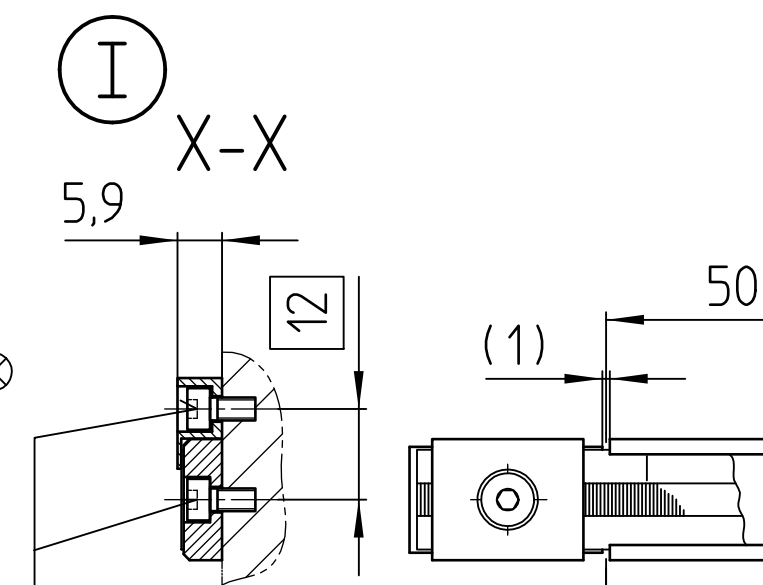


ML ≤ 2040



ML > 2040 (z.B. 5040)



- I = Maßbandträger-Teilstücke geschraubt
 - II = Maßbandträger-Teilstücke mit PRECIMET geklebt
 - III = Montagemöglichkeiten
 - F = Maschinenführung
 - * = max. Änderung bei Betrieb
 - P = Messpunkte zum Ausrichten
 - S = Beginn der Messlänge ML
 - R = Referenzmarken-Lage
 - T = Träger-Länge
 - A = Auslesemagnet für Limitschalter
 - Z = Zwischenstück ab Meßlänge 3040mm
 - M = Montagefläche für Abtastkopf
 - 1 = Funktionsanzeige
 - 2 = Abtastspalt
 - 3 = Anschlagfläche Träger
 - 4 = Bewegungsrichtung der Abtasteinheit für Ausgangssignale gemäß Schnittstellen-Beschreibung
- Carrier selections bolted
- Carrier selections fastened with PRECIMET
- Mounting optional
- Machine guideway
- Max. change during operation
- Gauging points for alignment
- Beginning of measuring length ML
- Reference mark position
- Carrier length
- Selector magnet for limit switch
- Spacer required as of measuring length 3040mm
- Mounting surface for scanning head
- Status display
- Scanning gap
- Stop surface carrier
- Direction of scanning unit motion for output signals in accordance with interface description

Original drawing	Scale	Format	LIDA 4x5
Dimensions in mm	1:1	A1	Anschlussmaße
Toleranz nach DIN ISO 8015			Change No. C000210-22
Tolerances as per DIN ISO 8015			Series
Abmessungen ISO 2768-mS 50mm - G2			General tolerances ISO 2768-mS 50mm - G2
The reproduction, distribution and utilization of this document as well as the communication of its contents to others without express authorization is prohibited. Offenders will be held liable for the payment of damages. All rights reserved in the event of the grant of a patent, utility model or design. (ISO 9001:2015)			Document number
DR. JOHANNES HEIDENHAIN GmbH			D 1145428 - 01 - A - 01
83301 Traunreut, Germany			1 of 1