

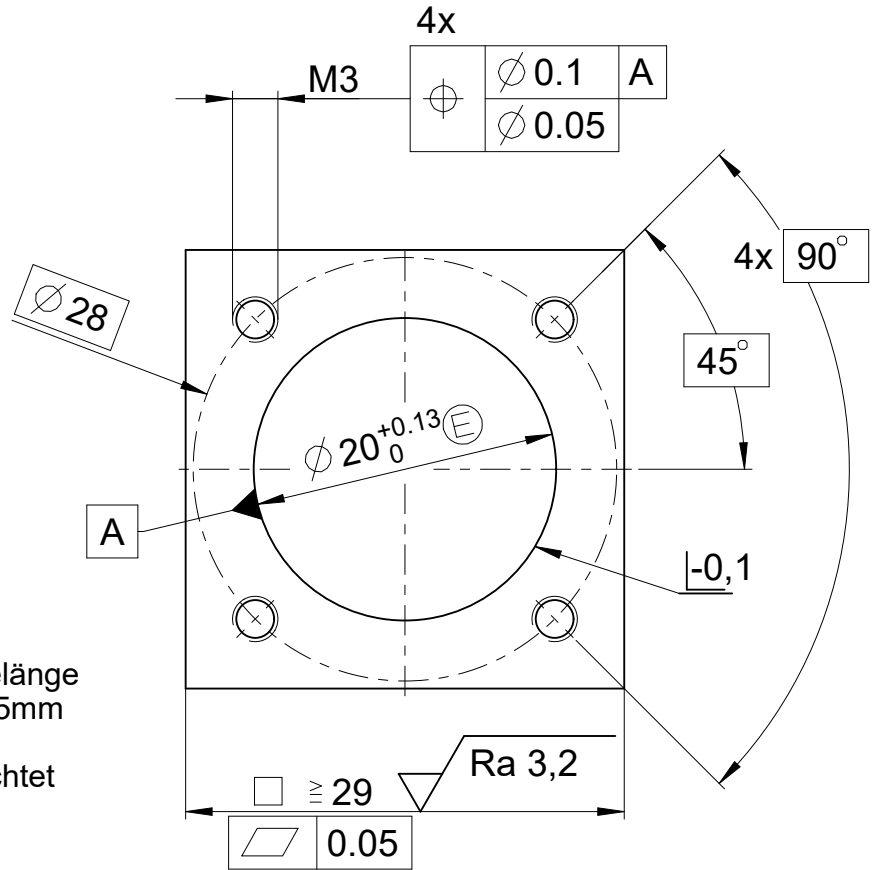
Lochkreisdurchmesser 28mm
Bolt-hole circle diameter 28mm

Montagebohrung
Mounting hole

⊗ 4x M3
Anzugsmoment $0,8 \pm 0,05$ Nm
Torque $0,8 \pm 0,05$ Nm

Mindestens 3,5mm tragende Gewindelänge
Load-bearing thread length at least 3,5mm

Sacklochbohrung oder Gewinde gedichtet
Blind hole or thread sealed



886 200 A4



			ID number:
			Change No. C098663-25
			Phase: Serie
	Original drawing		Tolerierung nach DIN ISO 8015 Tolerances as per DIN ISO 8015 Allgemeintol. ISO 2768-mH $\leq 6\text{mm}:\pm 0,2$ General tol. ISO 2768-mH $\leq 6\text{mm}:\pm 0,2$
	Scale	Format	
Dimensions in mm	2:1	A4	
Montagebohrung LKD 28mm - M3 Montagebohrung Winkel- und Flanschdose Anschlussmaße / Mating Dimensions			

The reproduction, distribution and utilization of this document as well as the communication of its contents to others without express authorization is prohibited. Offenders will be held liable for the payment of damages. All rights reserved in the event of the grant of a patent, utility model or design. (ISO 16016)

HEIDENHAIN
DR. JOHANNES HEIDENHAIN GmbH
83301 Traunreut, Germany

	Version	Revision	Sheet	Page
D1140890-00 - B-02				1 of 1
Document number				