
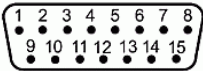

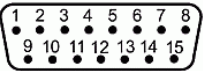


<b>9I</b>	<b>Anschluss-Belegung</b>
	<b>Elektrischer Anschluss</b>
	<b>Geometrie Polbild (Steckseite)</b>
<b>JH</b>	<b>Firmenname</b>
<b>TTL</b>	<b>Ausgangssignal</b>
..	<b>Eingangssignal</b>
..	<b>Datenschnittstelle</b>
..	<b>Teilkreiszusatzspur</b>
15 polig	Kundenseitige Steckerausführung
2+10	Versorgung 0V (Un)
4+12	Versorgung +V (Up)
Im Stecker	Versorgung verbunden mit Sensorleitung
Gehäuse	Außenschirm
1	Rechteck-Signal Ua1
9	Rechteck-Signal Ua1 invers
3	Rechteck-Signal Ua2
11	Rechteck-Signal Ua2 invers
14	Rechteck-Signal Ua0
7	Rechteck-Signal Ua0 invers
13	Rechteck-Signal UaS invers
15	Rechteck-Signal PWT Testimpuls
8	Zusätzliche Signale L1/ (Grenzlage)
6	Zusätzliche Signale L2/ (Grenzlage)
5	Freie Adern und Pins
0070	Ergänzungen

0070 = Pin 15: 5V-Pegel umschalten auf PWT-Modus (TTL, 11µA) oder FKEY umschalten auf I<sup>2</sup>C-Modus -> Pin 15 = SDA und Pin 13 = SCL

<b>9I</b>	<b>Pin configuration</b>
	<b>Electrical connection</b>
	<b>Geometry of pole pattern (plug side)</b>
<b>JH</b>	<b>company name</b>
<b>TTL</b>	<b>Output signal</b>
..	<b>Input signal</b>
..	<b>Data interface</b>
..	<b>Additional circular scale track</b>
15-pin	Customer's connection version
2+10	Supply 0V (Un)
4+12	Supply +V (Up)
in connector	Supply connected with sensor line
Housing	External shield
1	Square-wave signal Ua1
9	Square-wave signal Ua1 inverse
3	Square-wave signal Ua2
11	Square-wave signal Ua2 inverse
14	Square-wave signal Ua0
7	Square-wave signal Ua0 inverse
13	Square-wave signal UaS inverse
15	Square-wave signal PWT test pulse
8	Addit. signals L1/ (border position)
6	Addit. signals L2/ (border position)
5	Free wires and pins
0070	Additions

0070 = Pin 15: Switch 5V level to PWT mode (TTL, 11 µA) or switch FKEY to I<sup>2</sup>C mode --> Pin 15 = SDA and Pin 13 = SCL

Connection layout 9I AQS15 TTL .. .. . JH				Pin Layout		Change No: C184912-10	
The reproduction, distribution and utilization of this document as well as the communication of its contents to others without express authorization is prohibited. Offenders will be held liable for the payment of damages. All rights reserved in the event of the grant of a patent, utility model or design. (ISO 16016)							
<b>HEIDENHAIN</b>		Serie		Version		Revision	
DR. JOHANNES HEIDENHAIN GmbH		D1076585 - 01 - A - 05		Sheet		Page	
83301 Traunreut, Germany		Document No		1/1			