

- III = Montage-Möglichkeiten
- F = Maschinenführung
- * = max. Änderung bei Betrieb (IKS: Inkrementalspur, RI: Referenzmarkenspur)
- S = Beginn der Messlänge ML
- R = Referenzmarken-Lage LIDA 4x3
- C = Referenzmarken-Lage LIDA 4x3C
- L = Maßstablänge
- A = Auslesemagnet für Limit-Schalter
- M = Montagefläche für Abtastkopf III
- K = Klebstoff
- G = Fixpunktelement zur Definition des thermischen Fixpunktes
- 1 = Funktionsanzeige
- 2 = Abtastspalt
- 3 = Anschlagfläche Maßstab
- 4 = Bewegungsrichtung der Abtasteinheit für Ausgangssignale gemäß Schnittstellen-Beschreibung

- Mounting option
- Machine guideway
- max. change during operation
- (IKS: incremental-track, RI: reference-pulse-track)
- Beginning of measuring length ML
- Reference mark position LIDA 4x3
- Reference mark position LIDA 4x3C
- Scale length
- Selector magnet for limit switch
- Mounting surface for scanning head III
- Adhesive
- Fixed-point element in order to define the thermal fixed point
- Status display
- Scanning gap
- Stop surface scale
- Direction of scanning unit motion for output signals in accordance with interface description

Anzahl "n" der Spannpratzenpaare:
(Montage beidseitig geputzt) /
Quantity "n" of pairs of fixing clamps
(mounting with fixing clamps at both sides)

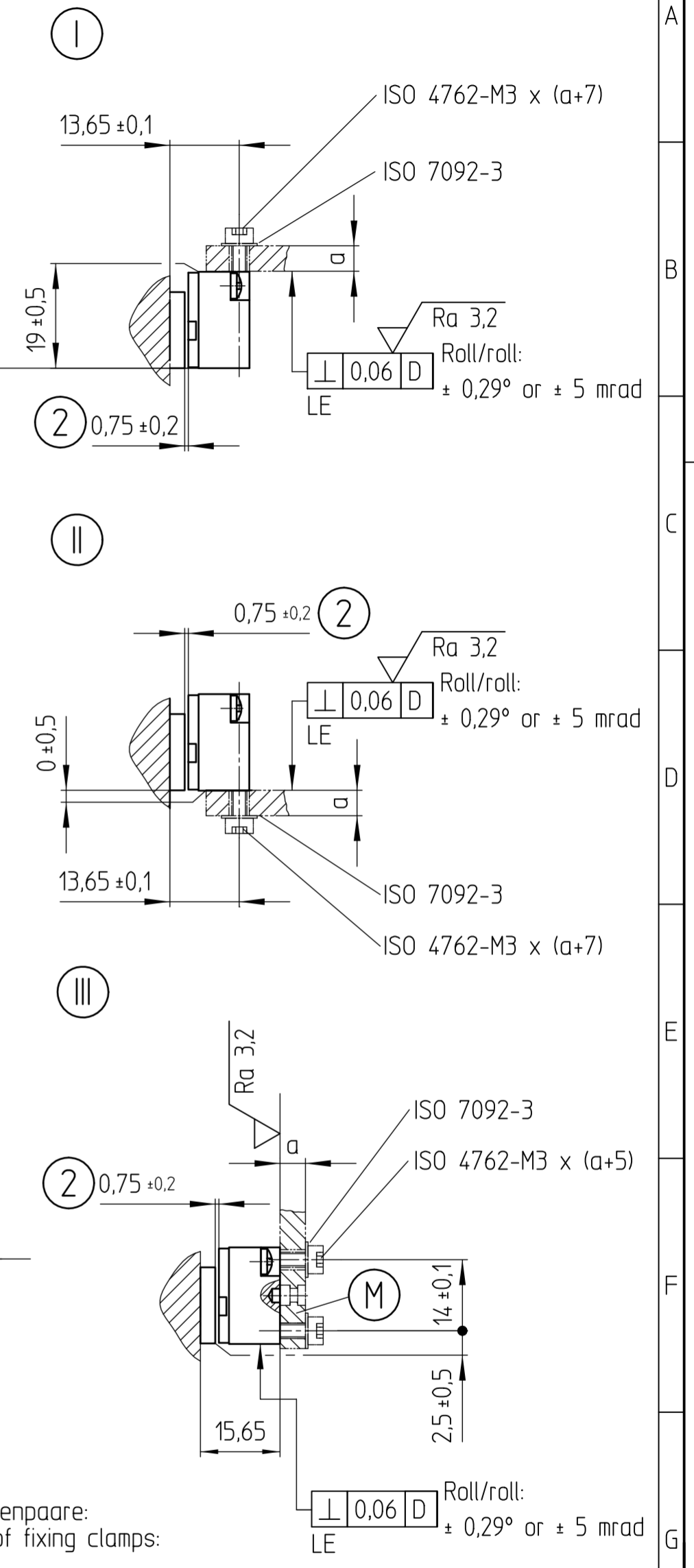
ML	n
ML 70	2
70 < ML ≤ 100	3
100 < ML ≤ 200	4
...	...

Nick/pitch: ± 0,29° or ± 5 mrad

Abstand "d" der Spannpratzenpaare:
Distance "d" between pairs of fixing clamps:

$$d = \frac{ML - 42}{n - 1}$$

Ra 3,2		
▧	0,05	
▨	0,1	F



IDNumber:			
Change No. C000210-34			
Phase: Serie			
Tolerierung nach DIN ISO 8015			
Tolerances as per DIN ISO 8015			
Allgemeintoleranzen ISO 2768-mH ±0,2mm			
General tolerances ISO 2768-mH ±0,2mm			
The reproduction, distribution and utilization of this document as well as the communication of its contents to others without express authorization is prohibited. Offenders will be held liable for the payment of damages. All rights reserved in the event of the grant of a patent, utility model or design. (ISO 16016)			
HEIDENHAIN		Document number	
DR. JOHANNES HEIDENHAIN GmbH		D 1069911 - 01 - A - 01	
83301 Traunreut. Germany		1 of 1	
		Version Revision Sheet	