

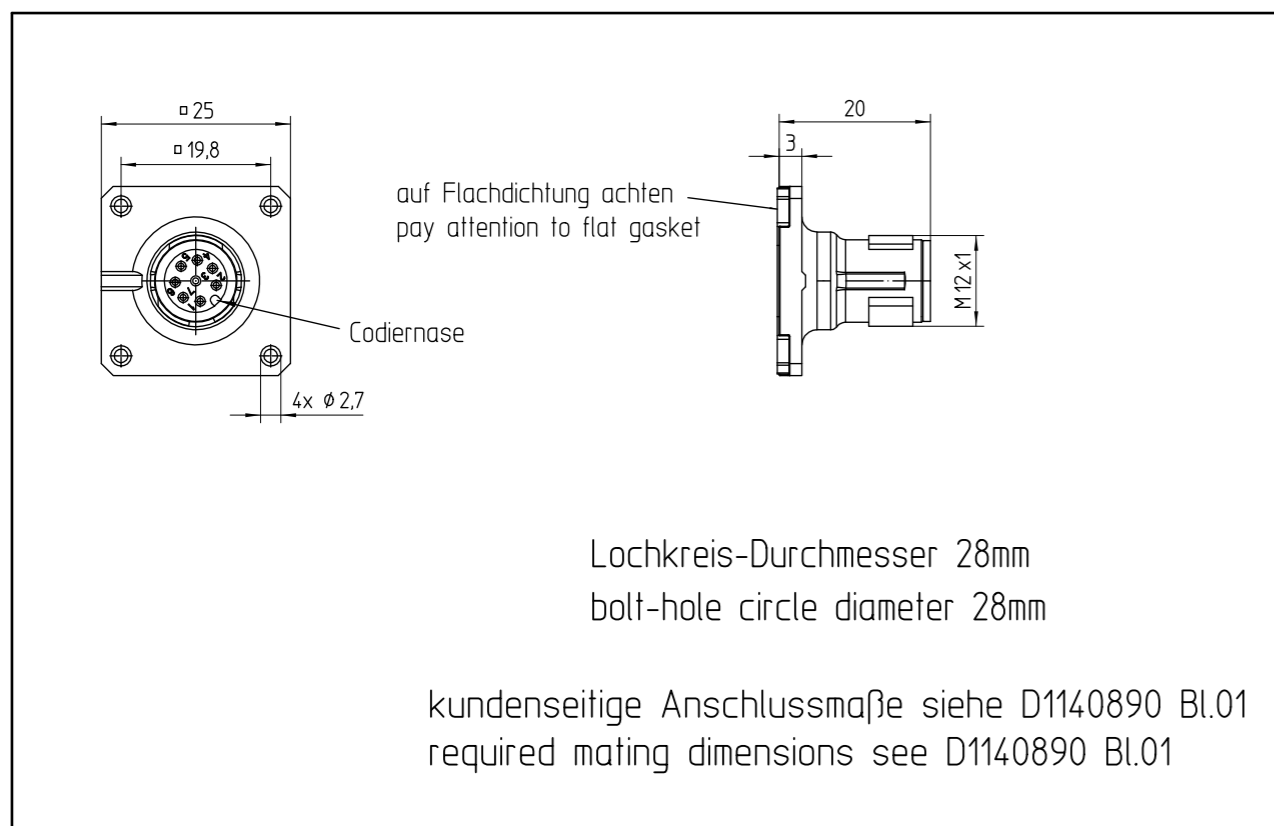
(B)	Temperatursensor / Temperature sensor	
	Biegeradius min. / min. bend radius	3mm
	Durchmesser / Diameter	2,0mm
	Querschnitt / Cross section	0,16mm <sup>2</sup> / AWG26

	Biegeradius min. dauernd	--
	Min. bend radius for flexing	--

(A)	Biegeradius min. einmalig	
	Min. bend radius for rigid configuration	10mm

	Schleppkettenradius min.	--
	Min. drag chain radius	--

max. Kabellänge (L): siehe Techn. Daten des Gerätetyps  
 For max. cable length (L): See Specifications of the encoder model



			IDnumber:
			Change No. C025541-75
			Phase: Serie
	Original drawing	AGK FCI --> Flanschdose M12 (AFS08)	
	Scale	Format	Tolerierung nach DIN ISO 8015 Tolerances as per DIN ISO 8015
Dimensions in mm	1:1	A3	Allgemeintoleranzen ISO 2768-mH ±0,2mm; +0,2 General tolerances ISO 2768-mH ±0,2mm; +0,2
The reproduction, distribution and utilization of this document as well as the communication of its contents to others without express authorization is prohibited. Offenders will be held liable for the payment of damages. All rights reserved in the event of the grant of a patent, utility model or design. ( ISO 16016 )			
<b>HEIDENHAIN</b> DR. JOHANNES HEIDENHAIN GmbH 83301 Traunreut, Germany			Version   Revision   Sheet
			D 1063040-03-B-22
			Document number
			1 of 1