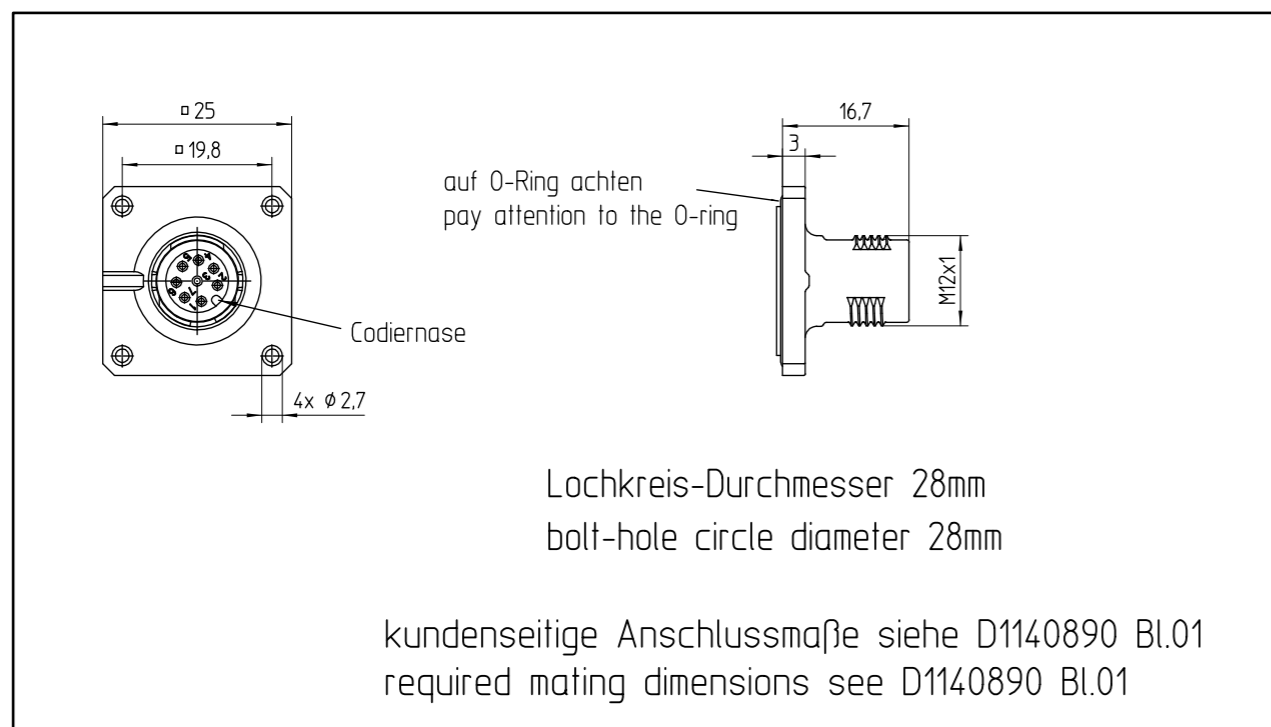


(C)	Biegeradius min. / min. bend radius	3mm
	Temperatursensor / Temperature sensor	
(B)	Biegeradius min. / min. bend radius	3mm
	Durchmesser / Diameter	2,0mm
	Querschnitt / Cross section	0,16mm ² / AWG26
	Biegeradius min. dauernd / Min. bend radius for flexing	--
(A)	Biegeradius min. einmalig / Min. bend radius for rigid configuration	10mm

max. Kabellänge (L): siehe Techn. Daten des Gerätetyps
 For max. cable length (L): See Specifications of the encoder model



		IDnumber:
		Change No. C025541-75
		Phase: Serie
	Original drawing	AGK FCI --> Flanschdose M12 (AFS08)
	Scale Format	
Dimensions in mm	1:1 A3	Anschlussmaße
The reproduction, distribution and utilization of this document as well as the communication of its contents to others without express authorization is prohibited. Offenders will be held liable for the payment of damages. All rights reserved in the event of the grant of a patent, utility model or design. (ISO 16016)		Tolerierung nach DIN ISO 8015 Tolerances as per DIN ISO 8015
		Allgemeintoleranzen ISO 2768-mH ±0.2mm; +0.2 General tolerances ISO 2768-mH ±0.2mm; +0.2
HEIDENHAIN DR. JOHANNES HEIDENHAIN GmbH 83301 Traunreut, Germany		Version Revision Sheet
		D 1063040-01-B-32
		Document number
		1 of 1