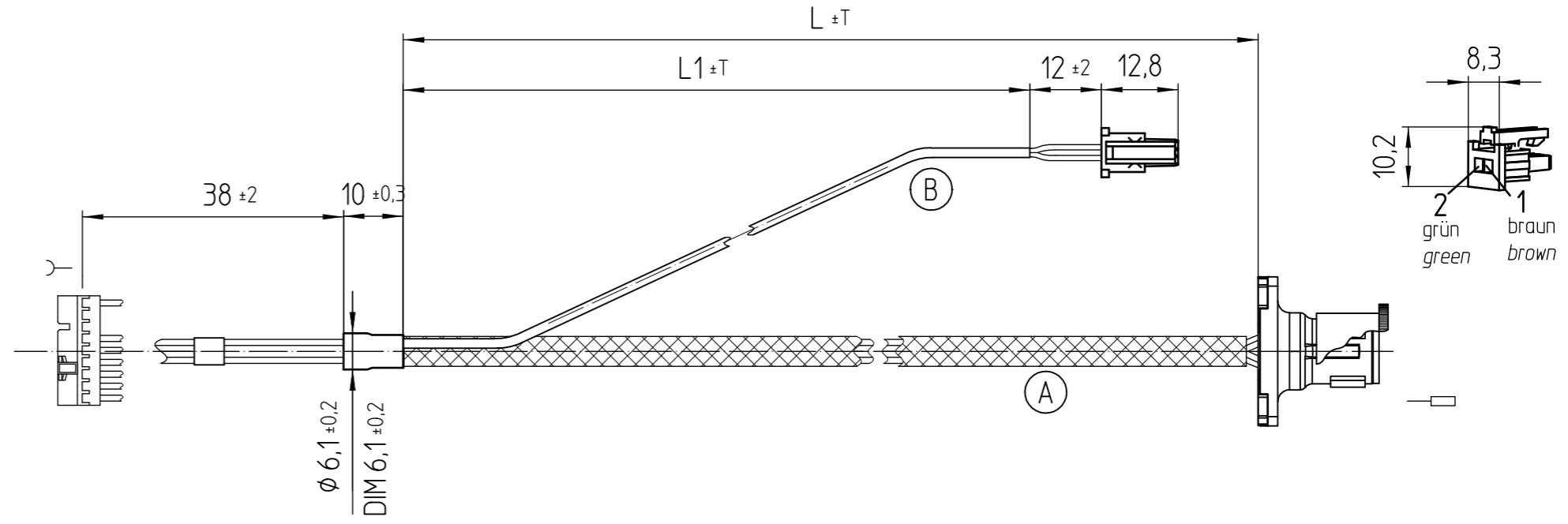
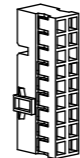


1 2 3 4 5 6 7 8

A
B
C
D
E
F



Toleranztabelle	
L / L1	T
≤ 250mm	± 5mm
< 1000mm	+ 10mm



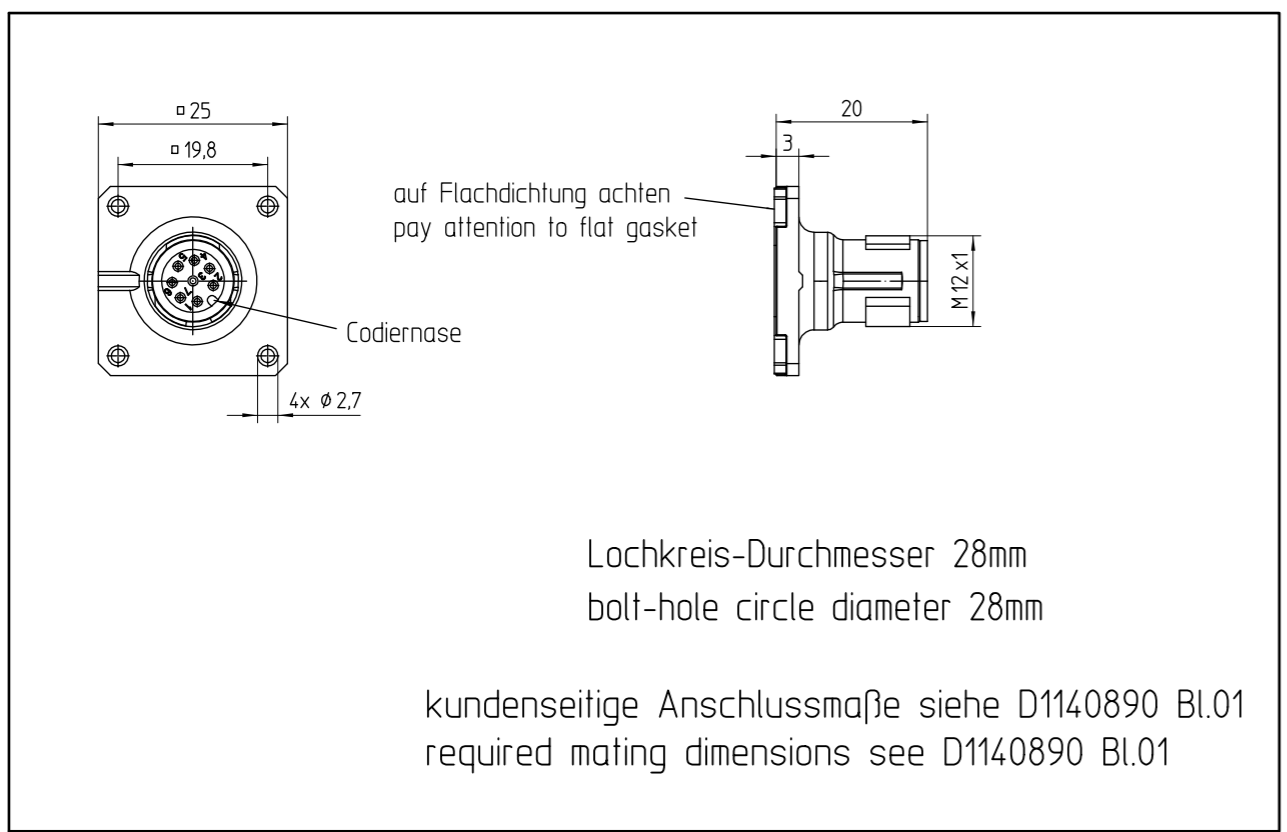
ⓑ	Temperatursensor / Temperature sensor	
	Biegeradius min. / min. bend radius	3mm
	Durchmesser / Diameter	2,0mm
	Querschnitt / Cross section	0,16mm ² / AWG26

Ⓐ Biegeradius min. dauernd
Min. bend radius for flexing

Ⓐ Biegeradius min. einmalig
Min. bend radius for rigid configuration

Schleppkettenradius min.
Min. drag chain radius

max. Kabellänge (L): siehe Techn. Daten des Gerätetyps
For max. cable length (L): See Specifications of the encoder model



			IDnumber:
			Change No. C144333-10 Phase: Serie
	Original drawing Scale Format	AGK FCI --> Flanschdose M12 (AFS08)	Tolerances as per ISO 8015
Dimensions in mm	1:1 A3	Anschlussmaße	General Tolerances ISO 2768:1989-mH ±0.2
The reproduction, distribution and utilization of this document as well as the communication of its contents to others without express authorization is prohibited. Offenders will be held liable for the payment of damages. All rights reserved in the event of the grant of a patent, utility model or design. (ISO 16016)			
HEIDENHAIN DR. JOHANNES HEIDENHAIN GmbH 83301 Traunreut, Germany		Released 02.05.2023	Version Revision Sheet D 1063040-00-A-60 Document number
			1 of 1

1 2 3 4