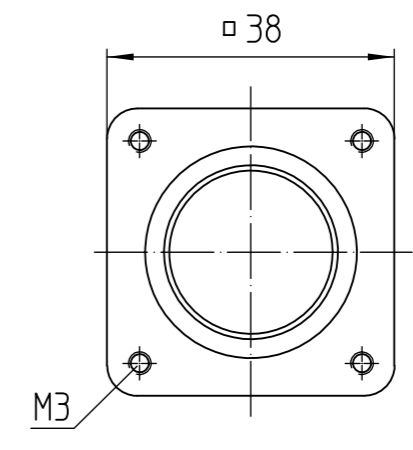
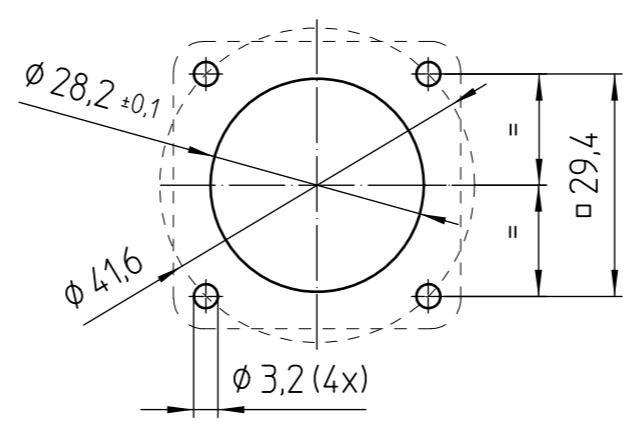


Montagefenster



			IDnumber:
			Release number: N0783
	Original drawing	VBK UltraLock-Stecker / M23-Kupplung mit	
	Scale	Format	Tolerierung nach DIN ISO 8015 Tolerances as per DIN ISO 8015
Dimensions in mm	1:1	A3	Allgemeintoleranzen ISO 2768-mH $\leq 6\text{mm}$ : + 0,2 General tolerances ISO 2768-mH $\leq 6\text{mm}$ : + 0,2
The reproduction, distribution and utilization of this document as well as the communication of its contents to others without express authorization is prohibited. Offenders will be held liable for the payment of damages. All rights reserved in the event of the grant of a patent, utility model or design. ( ISO 16016 )			
<b>HEIDENHAIN</b> DR. JOHANNES HEIDENHAIN GmbH 83301 Traunreut, Germany			Version   Revision   Sheet
			D 1034894 - 00 - A - 01 Document number

866 200 A3